



LUMINAIRE TESTING LABORATORY, INC.

SUSTAINING
MEMBER
of the
IESNA

905 Harrison Street · Allentown, PA 18103 · 610-770-1044 · Fax 610-770-8912 · www.LuminaireTesting.com

LTL NUMBER: 14178

DATE: 10-22-2008

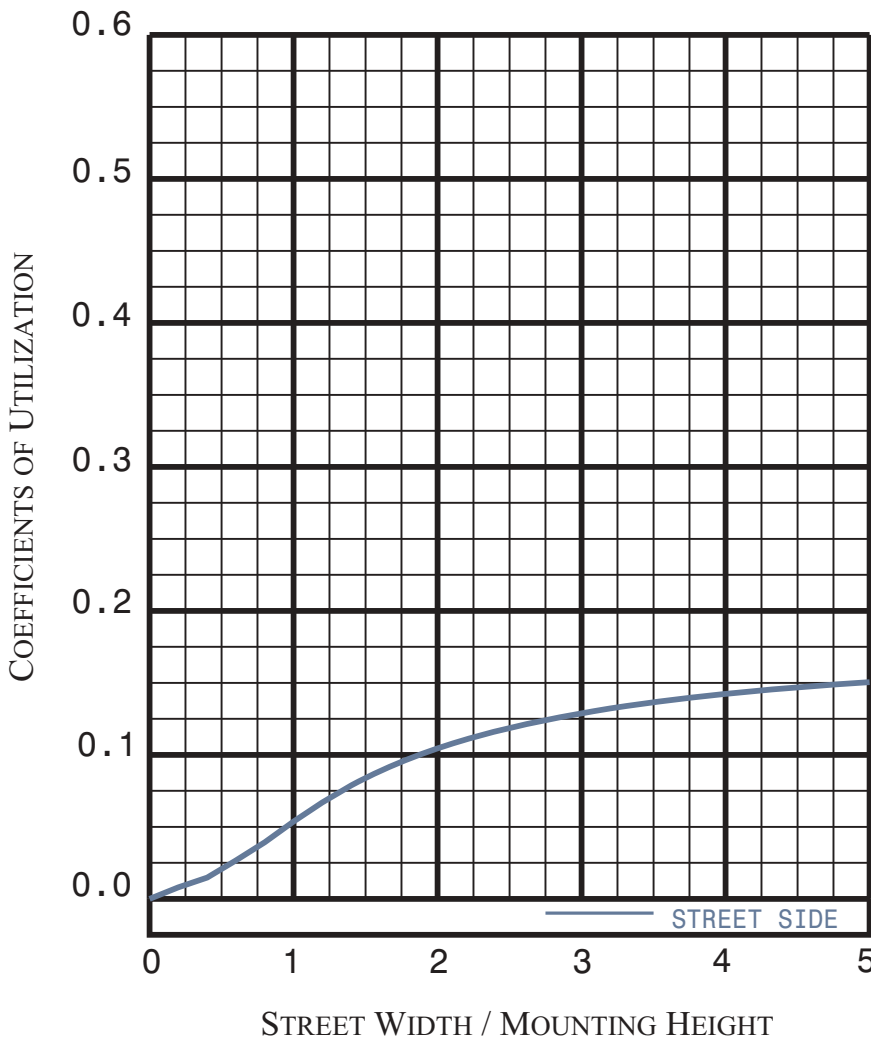
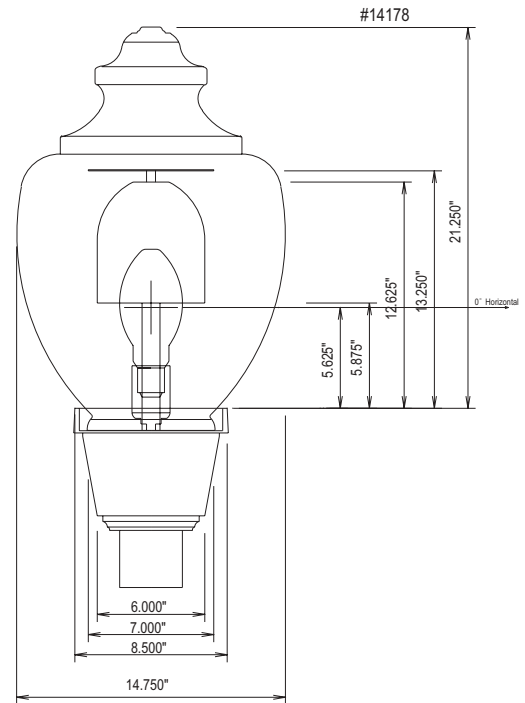
PREPARED FOR: PRIMELITE MANUFACTURING CORP.

CATALOG NUMBER: 1225/DSS

LUMINAIRE: CAST ALUMINUM HOUSING, SPUN SILVER ENAMEL UPPER REFLECTOR,
CLEAR PATTERNED PLASTIC ENCLOSURE.

LAMP: ONE CLEAR VBD M57 175 WATT ED28 METAL HALIDE LAMP RATED AT
14,000 LUMENS.

LAMP CATALOG NUMBER: PHILIPS MH175/U



IES CLASSIFICATION: **AREA LIGHT**
CUTOFF CLASSIFICATION: **NON-CUTOFF**

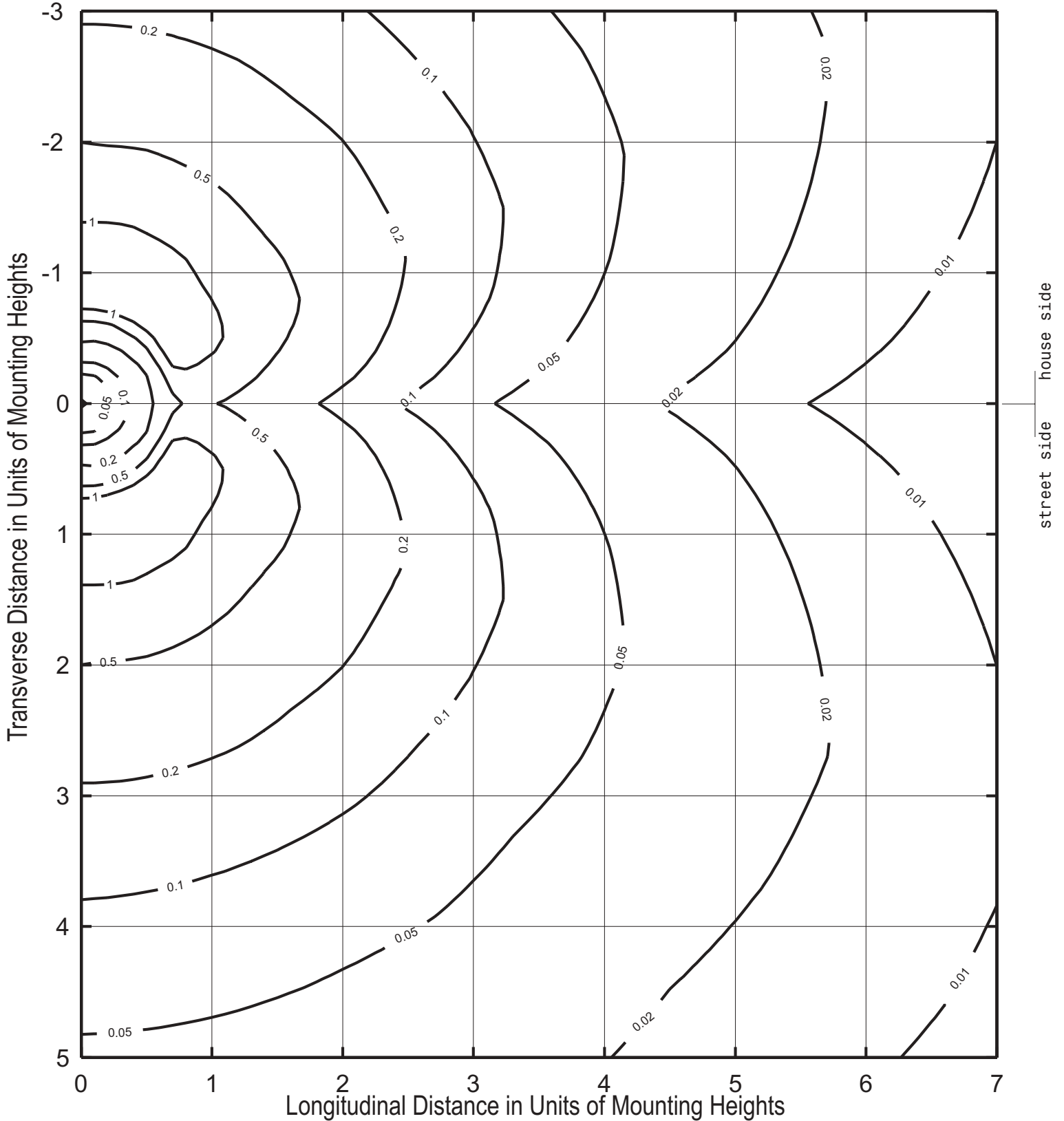
FLUX DISTRIBUTION

LUMENS	DOWNWARD	UPWARD	TOTALS
HOUSE SIDE	2549.91 (18.2%)	477.51 (3.4%)	3027.42 (21.6%)
STREET SIDE	2549.91 (18.2%)	477.51 (3.4%)	3027.42 (21.6%)
TOTALS	5099.82 (36.4%)	955.03 (6.8%)	6054.84 (43.2%)

Approved By: MG



ISOFOOTCANDLE LINES OF HORIZONTAL ILLUMINATION VALUES BASED ON 15.00 FOOT MOUNTING HEIGHT



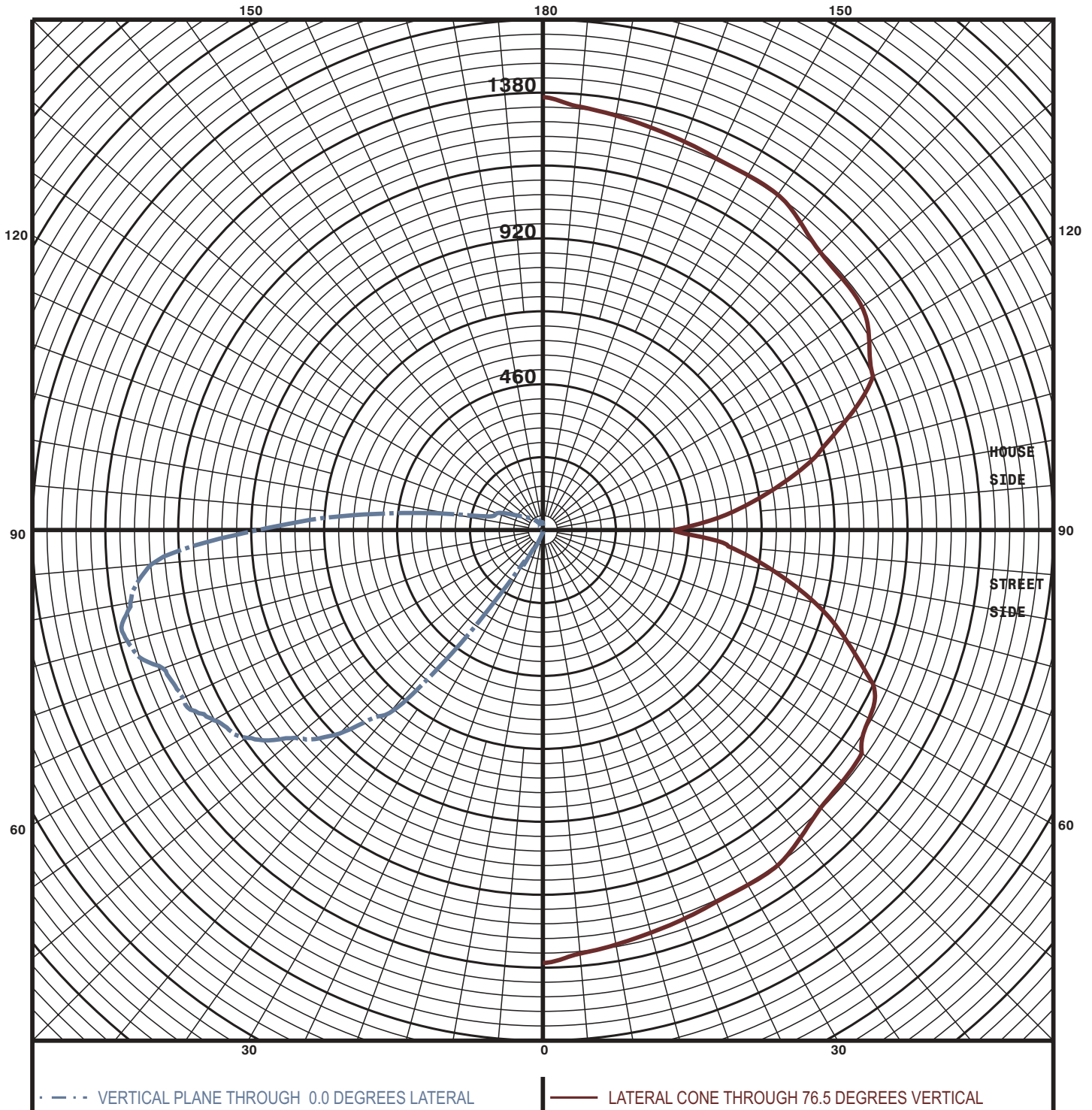


CANDELA DISTRIBUTION

Table with 12 columns (0-90) and 21 rows (0-180) showing Candela Distribution values. The table is a grid of numerical data representing light distribution patterns.

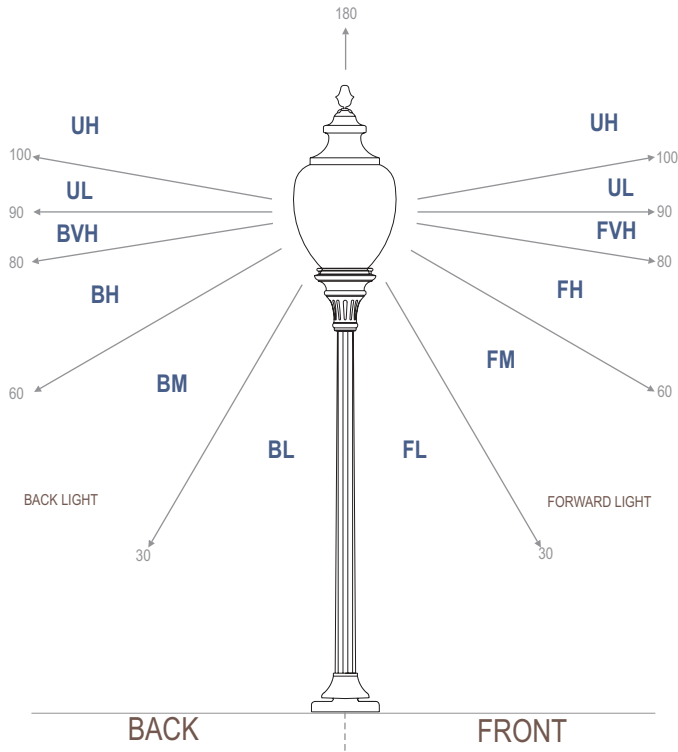


MAXIMUM PLANE AND CONE PLOTS OF CANDELA





FLUX DISTRIBUTION TABLE BASED ON THE IESNA LUMINAIRE CLASSIFICATION SYSTEM
FLUX



ZONE	LUMINAIRE LUMENS	% OF LAMP LUMENS
FORWARD LIGHT	2550	18.2
FL (0° -30°)	15	0.1
FM (30° -60°)	839	6
FH (60° -80°)	1135	8.1
FVH (80° -90°)	560	4

ZONE	LUMINAIRE LUMENS	% OF LAMP LUMENS
BACK LIGHT	2550	18.2
BL (0° -30°)	15	0.1
BM (30° -60°)	839	6
BH (60° -80°)	1135	8.1
BVH (80° -90°)	560	4

ZONE	LUMINAIRE LUMENS	% OF LAMP LUMENS
UPLIGHT	955	6.8
UL (90° -100°)	549	3.9
UH (100° -180°)	406	2.9

ZONE	LUMINAIRE LUMENS	% OF LAMP LUMENS
TRAPPED LIGHT	7945	56.8

