



**LUMINAIRE TESTING LABORATORY, INC.**

SUSTAINING  
MEMBER  
of the  
IESNA

905 Harrison Street · Allentown, PA 18103 · 610-770-1044 · Fax 610-770-8912 · www.LuminaireTesting.com

LTL NUMBER: 14181

DATE: 12-03-2008

PREPARED FOR: PRIMELITE MANUFACTURING CORP.

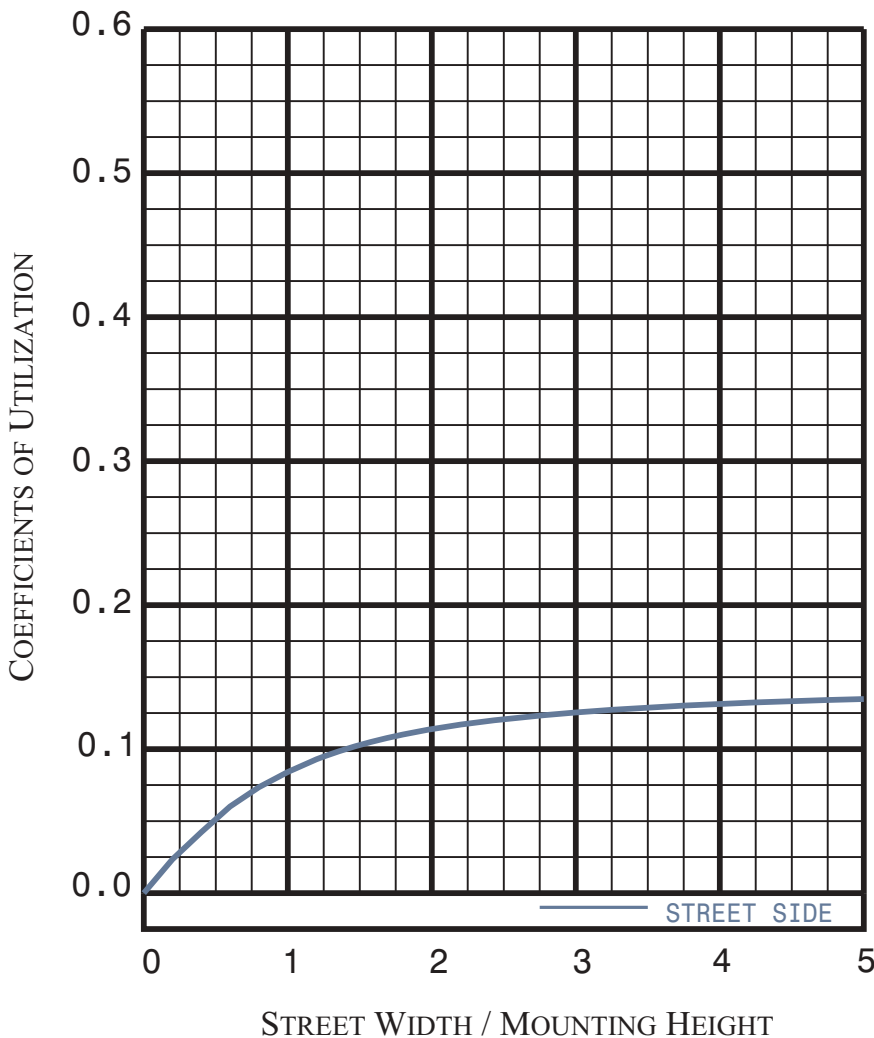
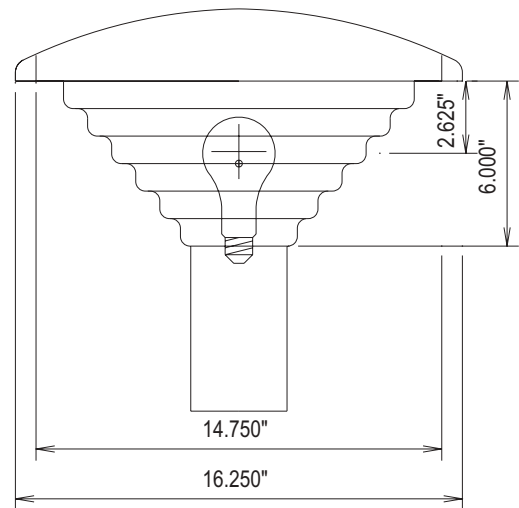
CATALOG NUMBER: 1199

LUMINAIRE: CAST ALUMINUM HOUSING, TRANSLUCENT WHITE PLASTIC ENCLOSURE WITH SPUN BLACK ENAMEL ALUMINUM TOP.

LAMP: ONE FROSTED VBD 150 WATT A21 INCANDESCENT LAMP RATED AT 2880 LUMENS.

LAMP CATALOG NUMBER: GE 150A-STANDARD-A21

#14181



IES CLASSIFICATION: **TYPE V**  
CUTOFF CLASSIFICATION: **SEMI-CUTOFF**

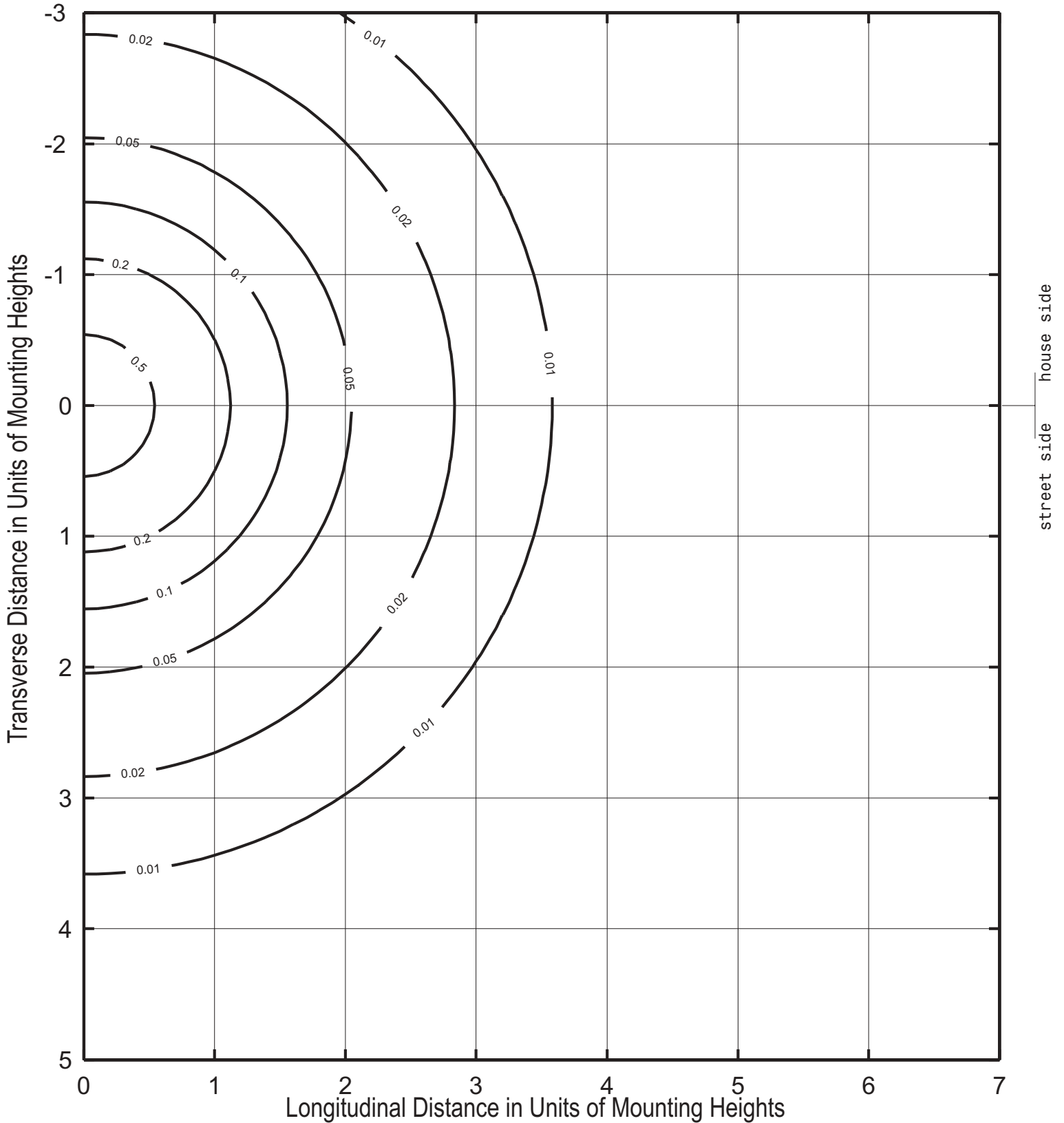
FLUX DISTRIBUTION

LUMENS	DOWNWARD	UPWARD	TOTALS
HOUSE SIDE	425.88 (14.8%)	97.30 (3.4%)	523.19 (18.2%)
STREET SIDE	425.88 (14.8%)	97.30 (3.4%)	523.19 (18.2%)
TOTALS	851.77 (29.6%)	194.61 (6.8%)	1046.37 (36.3%)

Approved By: MG



ISOFOOTCANDLE LINES OF HORIZONTAL ILLUMINATION VALUES BASED ON 15.00 FOOT MOUNTING HEIGHT



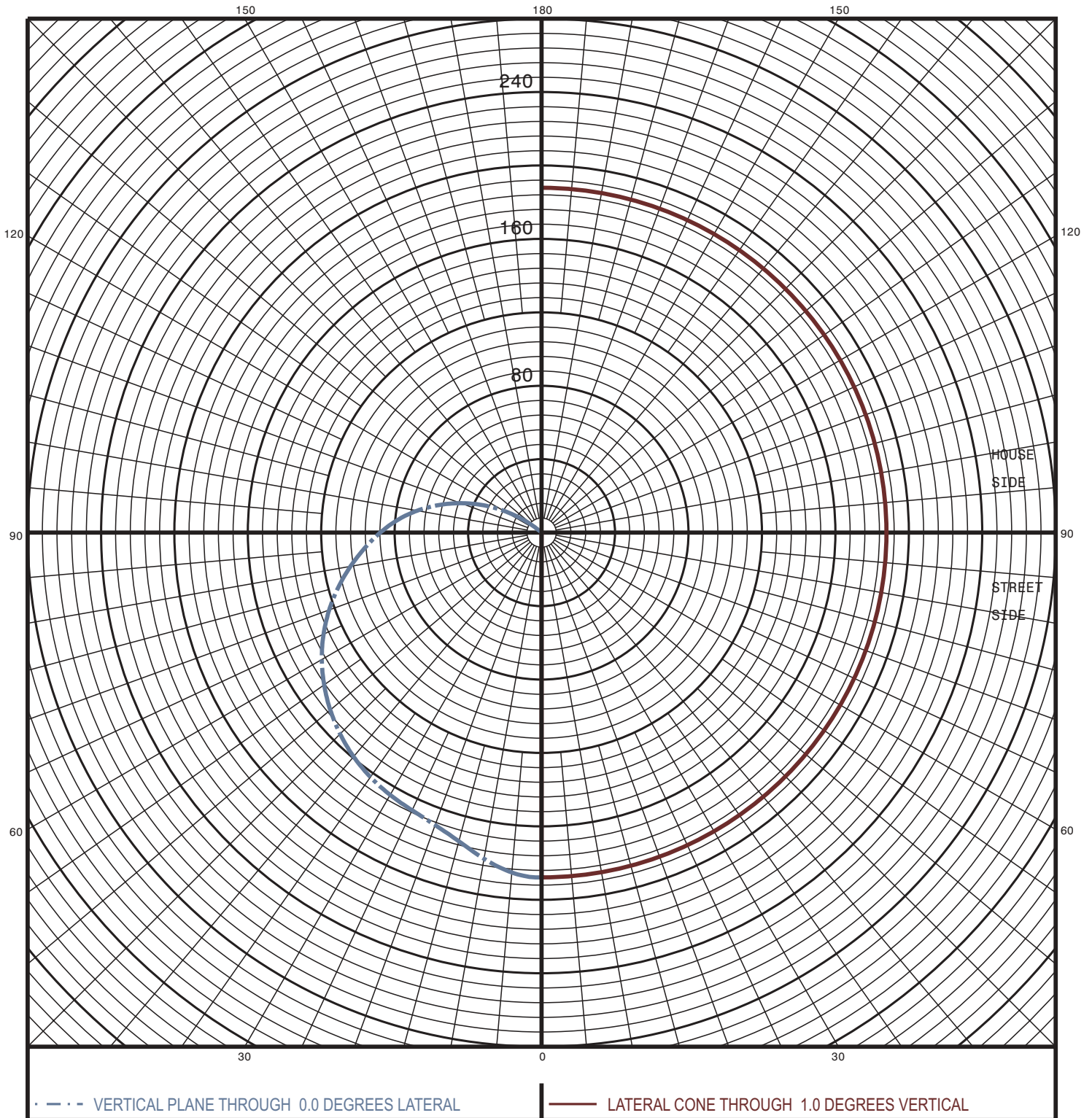


CANDELA DISTRIBUTION

Table with 12 columns (0-90) and 20 rows (180-0) showing Candela values for various luminaire beam spreads.

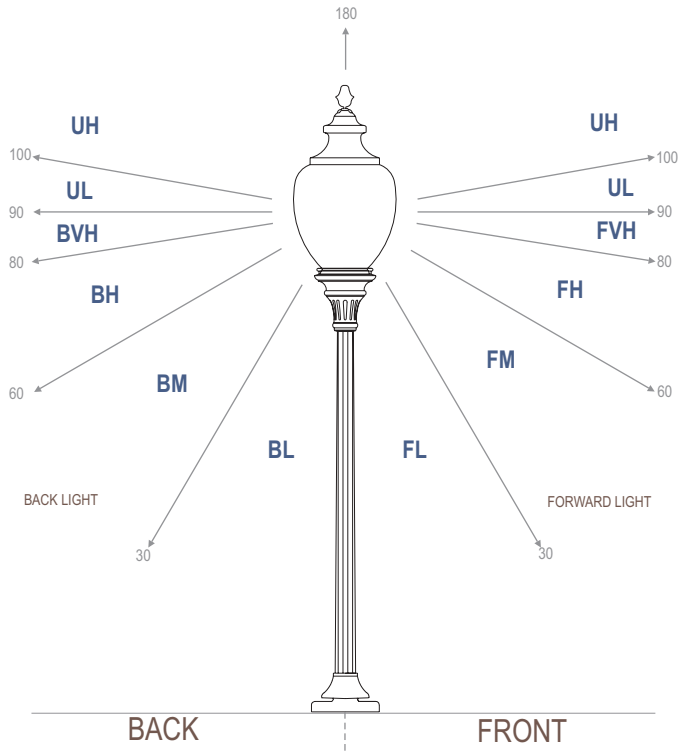


MAXIMUM PLANE AND CONE PLOTS OF CANDELA





FLUX DISTRIBUTION TABLE BASED ON THE IESNA LUMINAIRE CLASSIFICATION SYSTEM  
**FLUX**



ZONE	LUMINAIRE LUMENS	% OF LAMP LUMENS	
FORWARD LIGHT	426	14.8	
FL ( 0°-30°)	72	2.5	
FM (30°-60°)	176	6.1	
FH (60°-80°)	125	4.4	
FVH (80°-90°)	53	1.8	

BACK LIGHT	426	14.8	
BL ( 0°-30°)	72	2.5	
BM (30°-60°)	176	6.1	
BH (60°-80°)	125	4.4	
BVH (80°-90°)	53	1.8	

UPLIGHT	195	6.8	
UL (90°-100°)	86	3	
UH (100°-180°)	109	3.8	

TRAPPED LIGHT	1834	63.7	
---------------	------	------	--

