

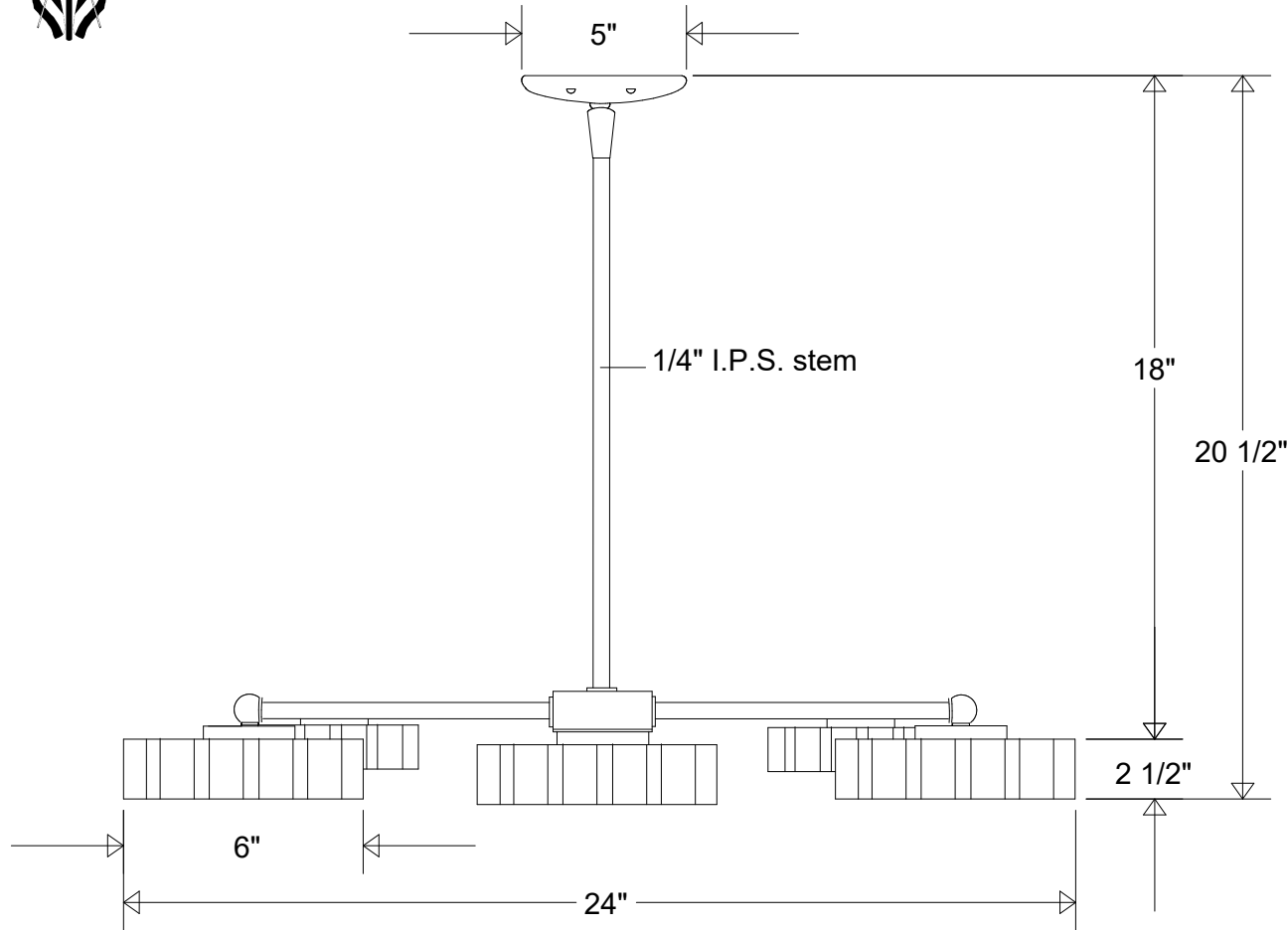


Primelite Manufacturing Corp

407 S Main St, Freeport, NY 11520

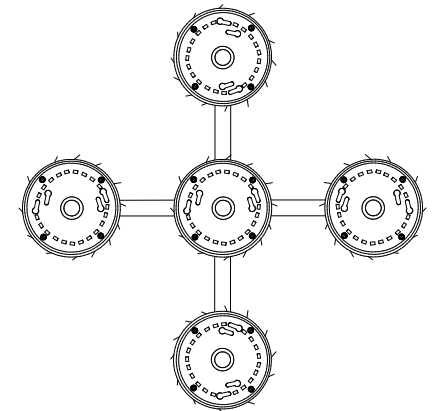
Phone: 516-868-4411 | Fax: 516-868-4609
 sales@primelite-mfg.com | www.primelite-mfg.com

PART # #915A S LED 110	LAMP LED	VOLTAGE 120 V	COLOR Powder Coated Paint
JOB NAME			TYPE Pendant



VIEW FROM BOTTOM

5 X 22 LED



Lamp: LED LED 110 (5 X LED 22)	Name	Date	<h2>Pendant #915A S LED 110</h2> <p>24" W 20 1/2" H Centermount</p> <p>3K/4K = 9,000 Lm 5 X 100W Equivalent</p>		
	Drawn	CB		10/19	
	Checked				
	ENG Appr.				
Construction: Aluminum	MFR Appr.		Size	Drawing No.	Rev
Unless Otherwise Specified: Dimensions in Inches	QA		A	0001	A
Weight			Scale	CAD File	Sheet
					1 of 1

Revisions				
Zone	Rev	Description	Date	Approved