



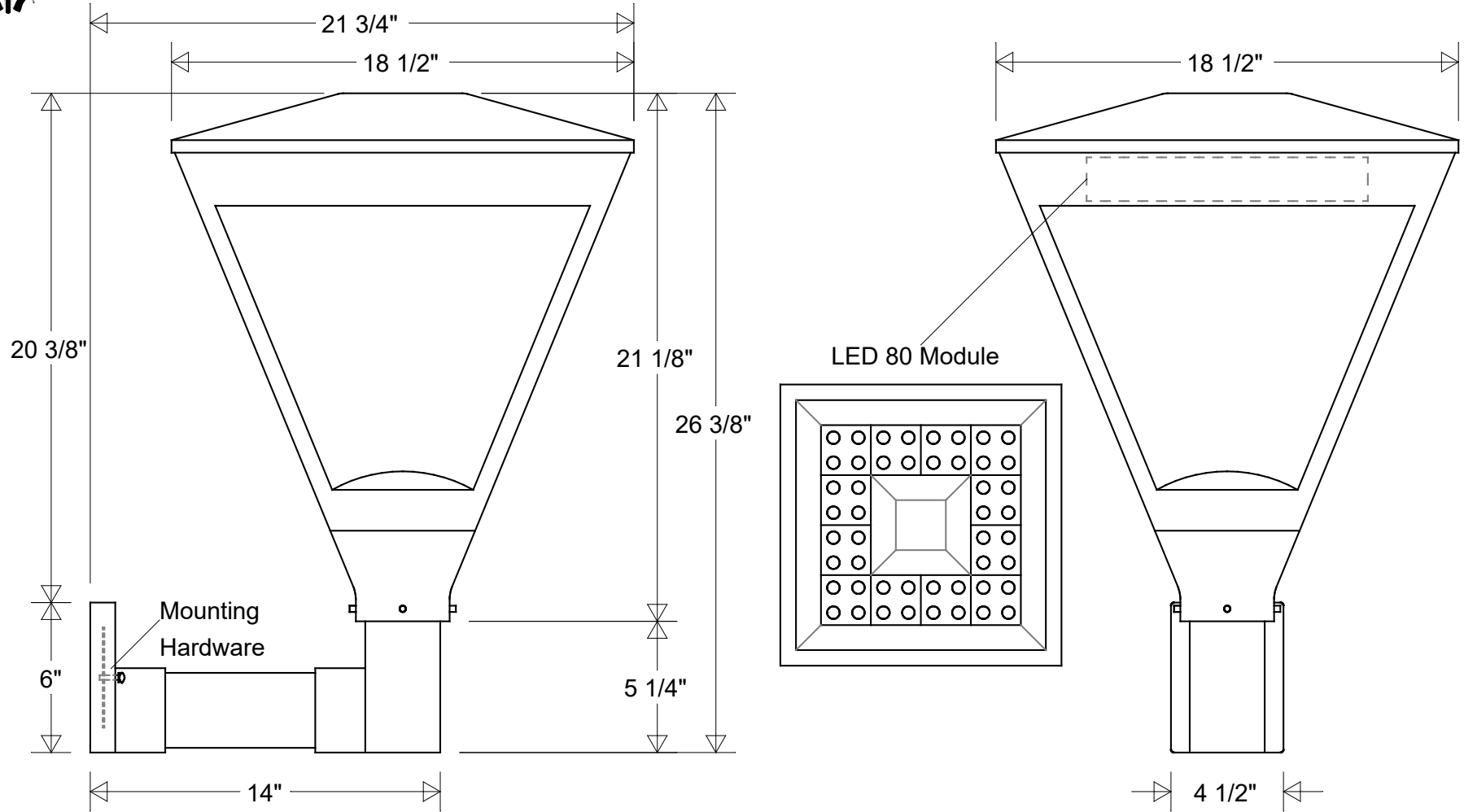
# Primelite Manufacturing Corp


407 S Main St, Freeport, NY 11520

Phone: 516-868-4411 | Fax: 516-868-4609

sales@primelite-mfg.com | www.primelite-mfg.com

PART # #5761 LED 80	LAMP Built-In LED	VOLTAGE 100-240 V	COLOR Powder Coated Black
JOB NAME			TYPE Wall Sconce



<b>Lamp: LED 80 Module</b> 175 W MH Equivalent 3K = 10,000 Lumens 	Initials	Date	<b>Wall Sconce #5761 LED 80</b>		
	Drawn	CB			
	Checked			18 1/2" W   26 3/8" H   21 3/4" Ext	
Construction: Aluminum   Acrylic Lens	MFR Appr.		Size	Drawing No.	Rev
	QA		<b>A</b>	<b>0001</b>	<b>A</b>
Unless Otherwise Specified: Dimensions in Inches	Weight: 30 lbs		Scale	CAD File	Sheet <b>1 of 1</b>

Revisions				
Zone	Rev	Description	Date	Appr