

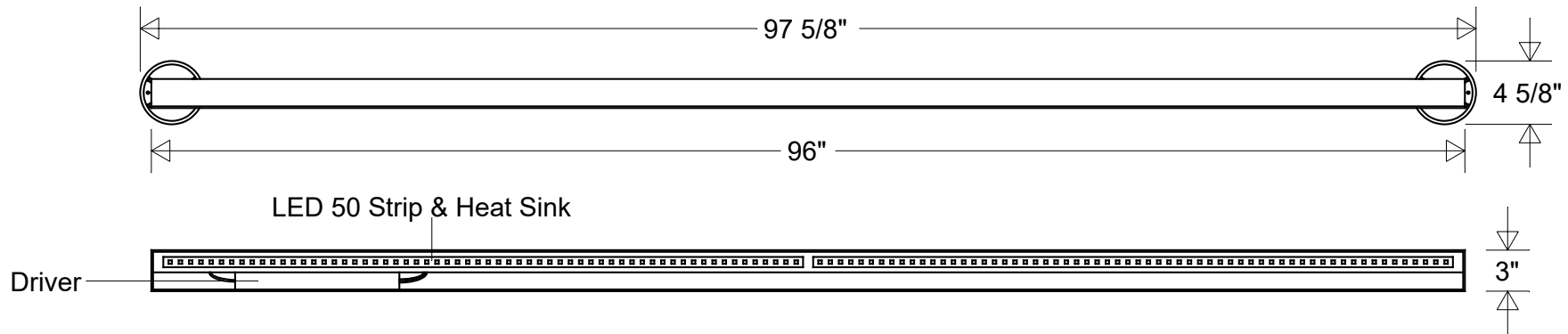
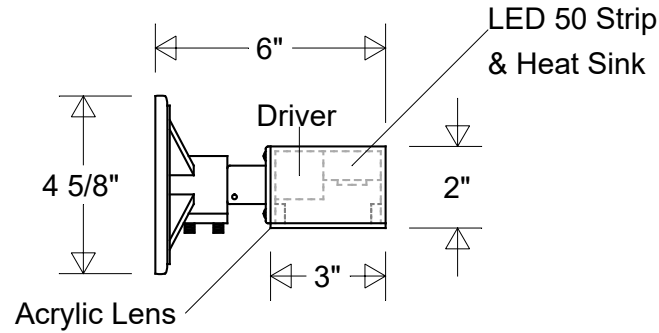


# Primelite Manufacturing Corp

407 S Main St, Freeport, NY 11520

Phone: 516-868-4411 | Fax: 516-868-4609  
 sales@primelite-mfg.com | www.primelite-mfg.com

PART # #5751 WW LED 50	LAMP Built-In LED	VOLTAGE 120 - 277 V	COLOR Powder Coated Paint
JOB NAME			TYPE Linear Sign Light



Lamp: LED 50 Strip  
 35K = 7795 Lumens  
 5K = 7795 Lumens



Construction:  
 Aluminum | Acrylic

Unless Otherwise Specified:  
 Dimensions in Inches

Initials	Date	<b>#5751 WW LED 50</b>		
Drawn	CB			
Checked		97 5/8" L   6" Ext   4 5/8" H   93" Center to Center Mount		
ENG Appr.		Acrylic Lens: White (-3)   Clear (-4)   Frosted (-5)		
MFR Appr.		Size	Drawing No.	Rev
QA		<b>A</b>	<b>0001</b>	<b>A</b>
Weight:		Scale	CAD File	Sheet
				<b>1 of 1</b>

Revisions				
Zone	Rev	Description	Date	Appr