

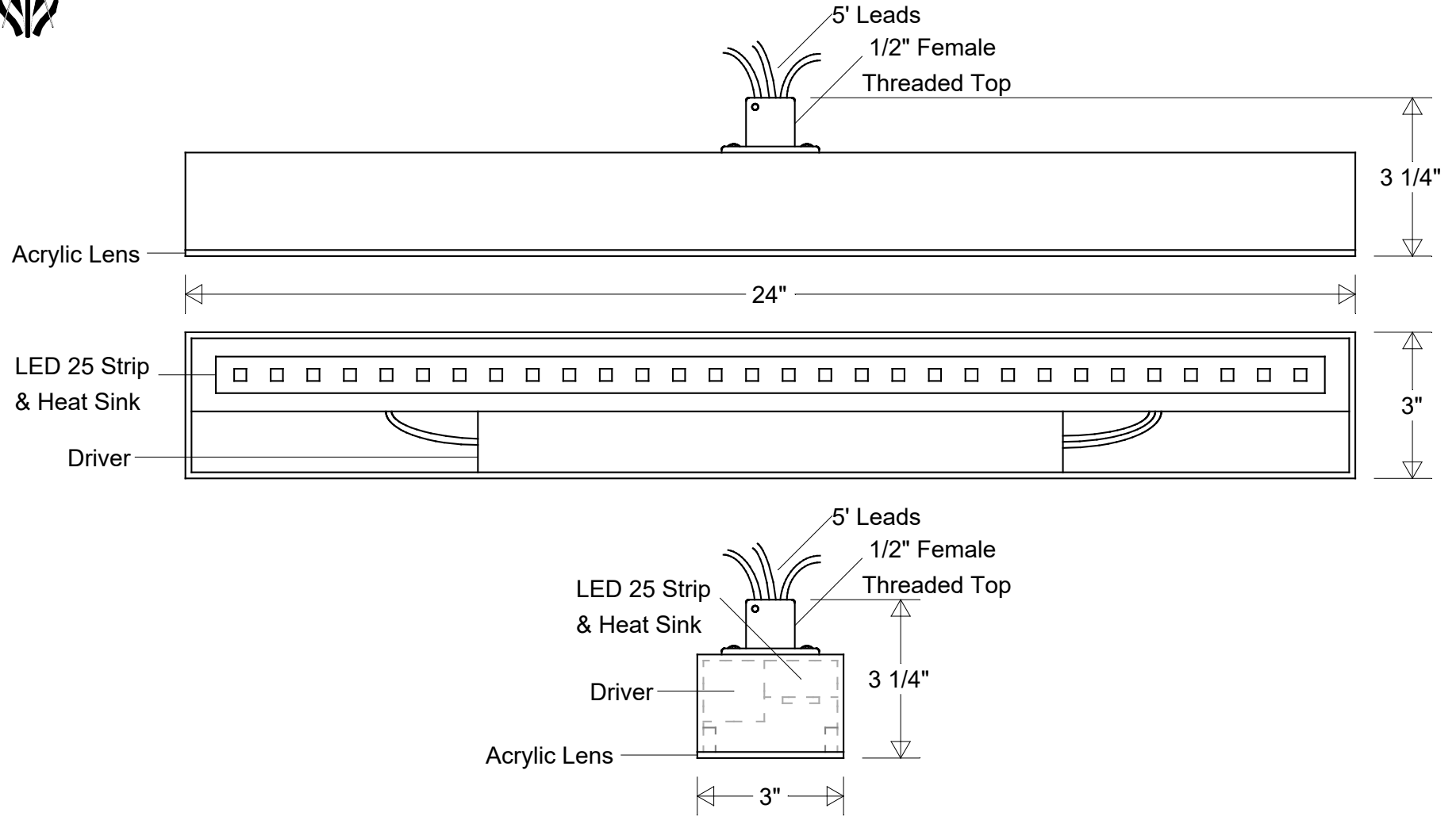


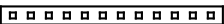
Primelite Manufacturing Corp

407 S Main St, Freeport, NY 11520

Phone: 516-868-4411 | Fax: 516-868-4609
 sales@primelite-mfg.com | www.primelite-mfg.com

PART # #5744A LED 25	LAMP Built-In LED	VOLTAGE 120 - 277 V	COLOR Powder Coated Paint
JOB NAME			TYPE Linear Light



Lamp: LED 25 Strip 35K = 3920 Lumens 5K = 3920 Lumens 	Initials	Date	<h2>Linear Light #5744A LED 25</h2>		<table border="1"> <thead> <tr> <th colspan="5">Revisions</th> </tr> <tr> <th>Zone</th> <th>Rev</th> <th>Description</th> <th>Date</th> <th>Appr</th> </tr> </thead> <tbody> <tr><td> </td><td> </td><td> </td><td> </td><td> </td></tr> <tr><td> </td><td> </td><td> </td><td> </td><td> </td></tr> <tr><td> </td><td> </td><td> </td><td> </td><td> </td></tr> <tr><td> </td><td> </td><td> </td><td> </td><td> </td></tr> </tbody> </table>					Revisions					Zone	Rev	Description	Date	Appr																				
	Revisions																																						
Zone	Rev	Description	Date	Appr																																			
Drawn	CB	09/2022	24" L 3" W 3 1/4" H Acrylic Lens: White (-3) Clear (-4) Frosted (-5)																																				
Checked			Size	Drawing No.	Rev																																		
ENG Appr.			A	0001	A																																		
Construction: Aluminum Acrylic	MFR Appr.		Scale	CAD File	Sheet																																		
Unless Otherwise Specified: Dimensions in Inches	Weight:					1 of 1																																	

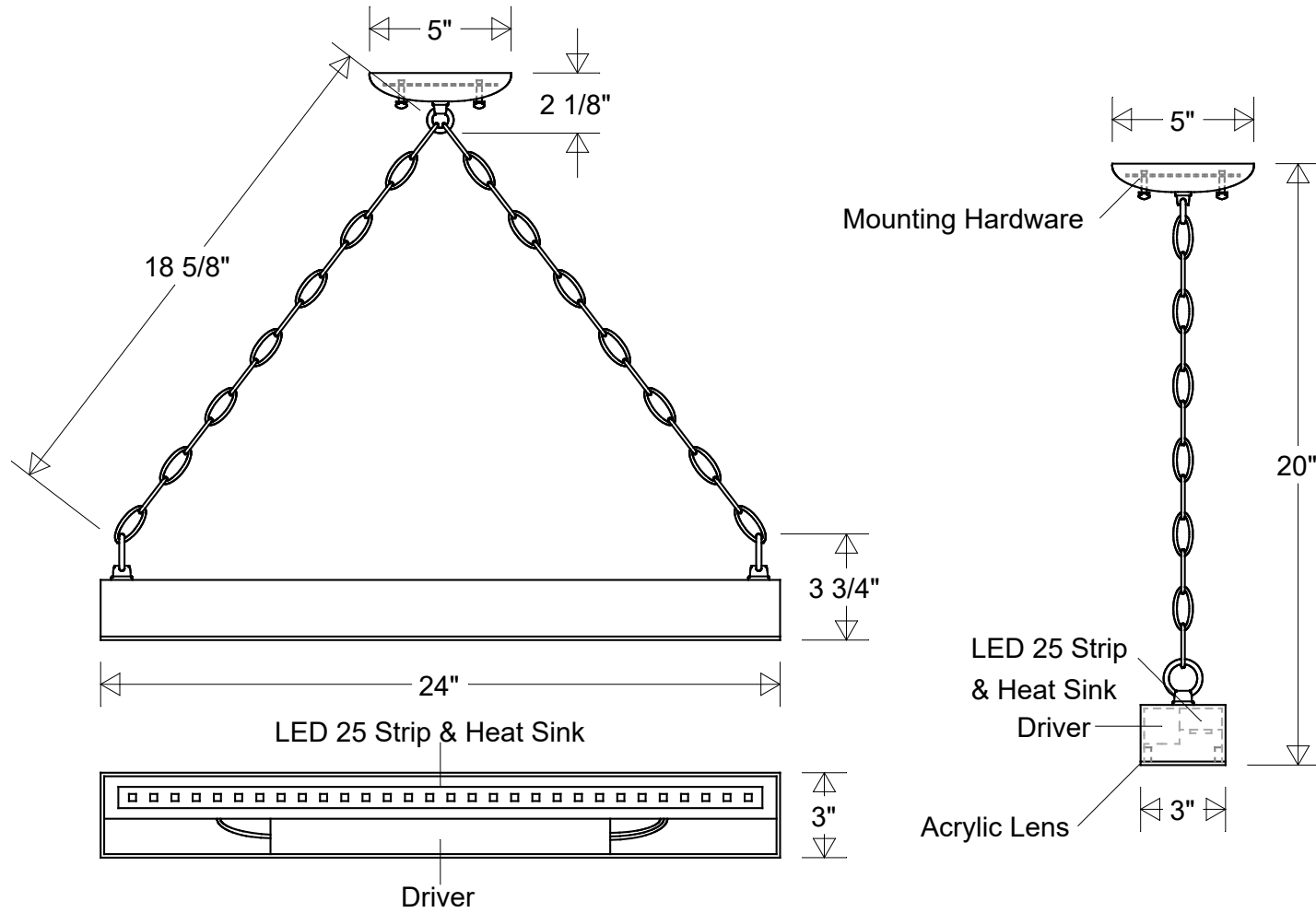


Primelite Manufacturing Corp

407 S Main St, Freeport, NY 11520

Phone: 516-868-4411 | Fax: 516-868-4609
 sales@primelite-mfg.com | www.primelite-mfg.com

PART # #5744 LED 25	LAMP Built-In LED	VOLTAGE 120 - 277 V	COLOR Powder Coated Paint
JOB NAME			TYPE Linear Pendant Light



Lamp: LED 25 Strip 35K = 3920 Lumens 5K = 3920 Lumens 	Initials	Date	Pendant #5744 LED 25			
	Drawn	CB				09/2022
	Checked			24" L 3" W 20" H 18 5/8" Chain x2		
	ENG Appr.			Acrylic Lens: White (-3) Clear (-4) Frosted (-5)		
Construction: Aluminum Acrylic	MFR Appr.		Size	Drawing No.	Rev	
	QA		A	0001	A	
Unless Otherwise Specified: Dimensions in Inches	Weight:		Scale	CAD File	Sheet	
					1 of 1	

Revisions				
Zone	Rev	Description	Date	Appr

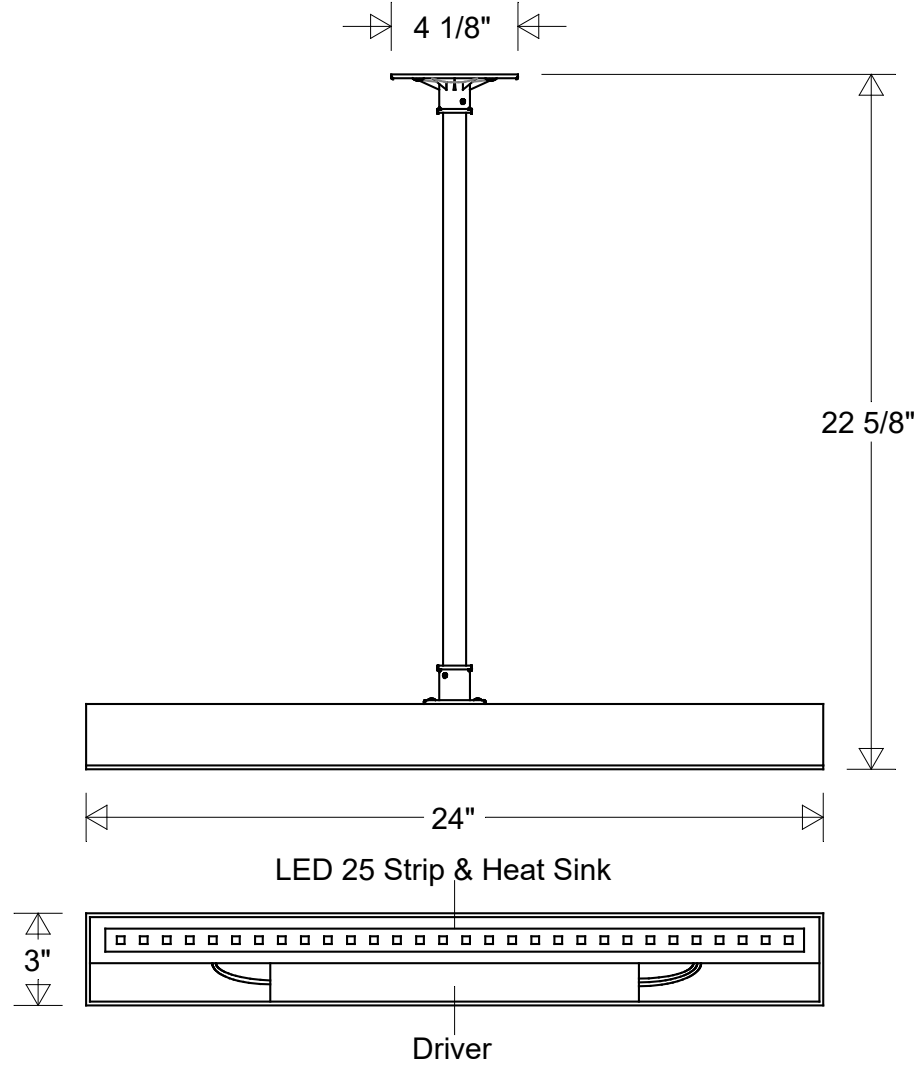
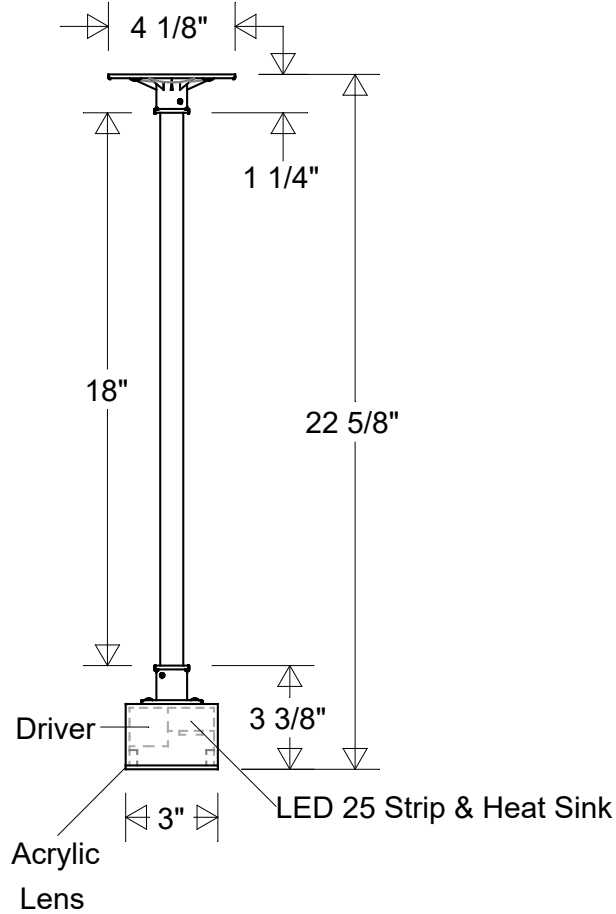


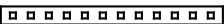
Primelite Manufacturing Corp

407 S Main St, Freeport, NY 11520

Phone: 516-868-4411 | Fax: 516-868-4609
 sales@primelite-mfg.com | www.primelite-mfg.com

PART # #5744/18 LED 25	LAMP Built-In LED	VOLTAGE 120 - 277 V	COLOR Powder Coated Paint
JOB NAME			TYPE Linear Pendant Light



Lamp: LED 25 Strip 35K = 3920 Lumens 5K = 3920 Lumens 	Initials	Date	Pendant #5744/18 LED 25			
	Drawn	CB				09/2022
	Checked			24" L 3" W 22 5/8" H 18" 1/2" IPS Stem		
	ENG Appr.			Acrylic Lens: White (-3) Clear (-4) Frosted (-5)		
Construction: Aluminum Acrylic	MFR Appr.		Size	Drawing No.	Rev	
	QA		A	0001	A	
Unless Otherwise Specified: Dimensions in Inches	Weight:		Scale	CAD File	Sheet	
					1 of 1	

Revisions				
Zone	Rev	Description	Date	Appr

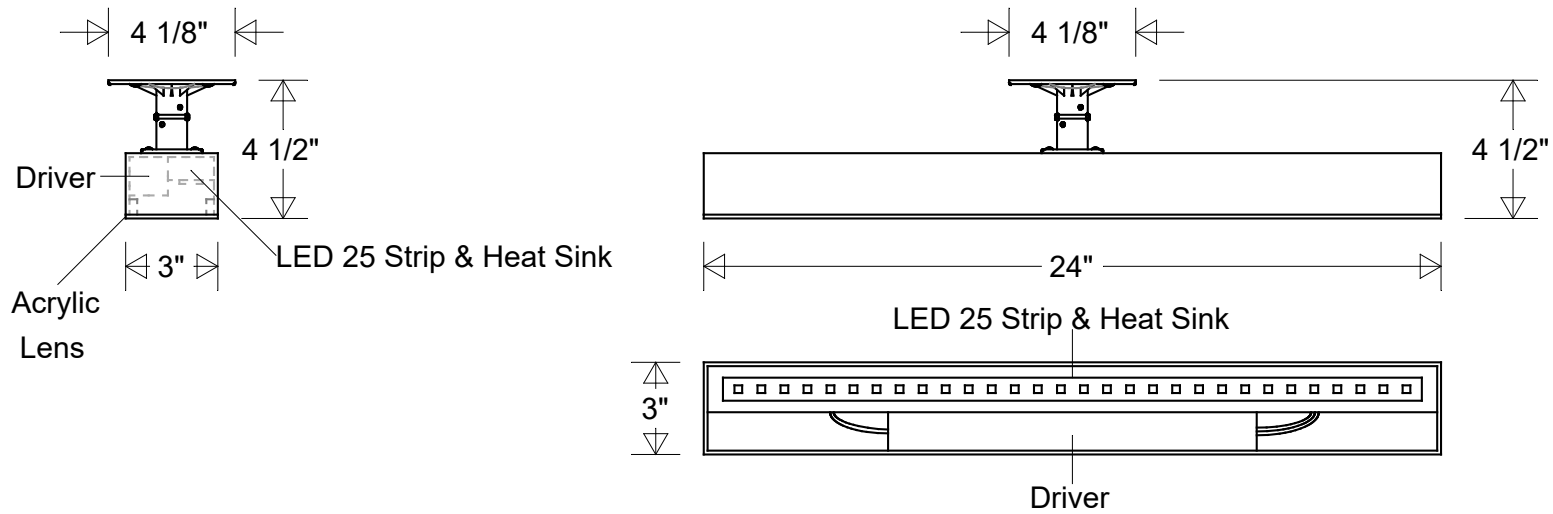


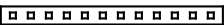
Primelite Manufacturing Corp

407 S Main St, Freeport, NY 11520

Phone: 516-868-4411 | Fax: 516-868-4609
 sales@primelite-mfg.com | www.primelite-mfg.com

PART # #5744F LED 25	LAMP Built-In LED	VOLTAGE 120 - 277 V	COLOR Powder Coated Paint
JOB NAME			TYPE Linear Flush Light



Lamp: LED 25 Strip 35K = 3920 Lumens 5K = 3920 Lumens 	Initials	Date	Ceiling Flush #5744F LED 25		
	Drawn	CB			09/2022
	Checked			24" L 3" W 4 1/2" H	
	ENG Appr.			Acrylic Lens: White (-3) Clear (-4) Frosted (-5)	
Construction: Aluminum Acrylic	MFR Appr.		Size	Drawing No.	Rev
	QA		A	0001	A
Unless Otherwise Specified: Dimensions in Inches	Weight:		Scale	CAD File	Sheet
					1 of 1

Revisions				
Zone	Rev	Description	Date	Appr



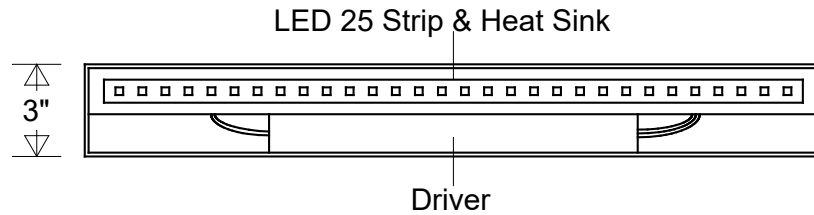
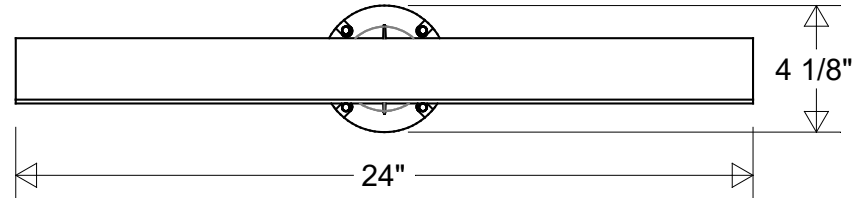
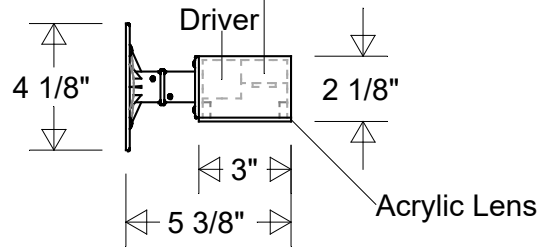
Primelite Manufacturing Corp

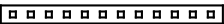
407 S Main St, Freeport, NY 11520

Phone: 516-868-4411 | Fax: 516-868-4609
 sales@primelite-mfg.com | www.primelite-mfg.com

PART # #5744WW LED 25	LAMP Built-In LED	VOLTAGE 120 - 277 V	COLOR Powder Coated Paint
JOB NAME			TYPE Linear Flush Light

LED 25 Strip & Heat Sink



Lamp: LED 25 Strip 35K = 3920 Lumens 5K = 3920 Lumens 	Initials	Date	Wall Wash #5744WW LED 25			
	Drawn	CB				09/2022
	Checked			24" L 5 3/8" Ext 4 1/8" H		
	ENG Appr.			Acrylic Lens: White (-3) Clear (-4) Frosted (-5)		
Construction: Aluminum Acrylic	MFR Appr.		Size	Drawing No.	Rev	
	QA		A	0001	A	
Unless Otherwise Specified: Dimensions in Inches	Weight:		Scale	CAD File	Sheet	
					1 of 1	

Revisions				
Zone	Rev	Description	Date	Appr

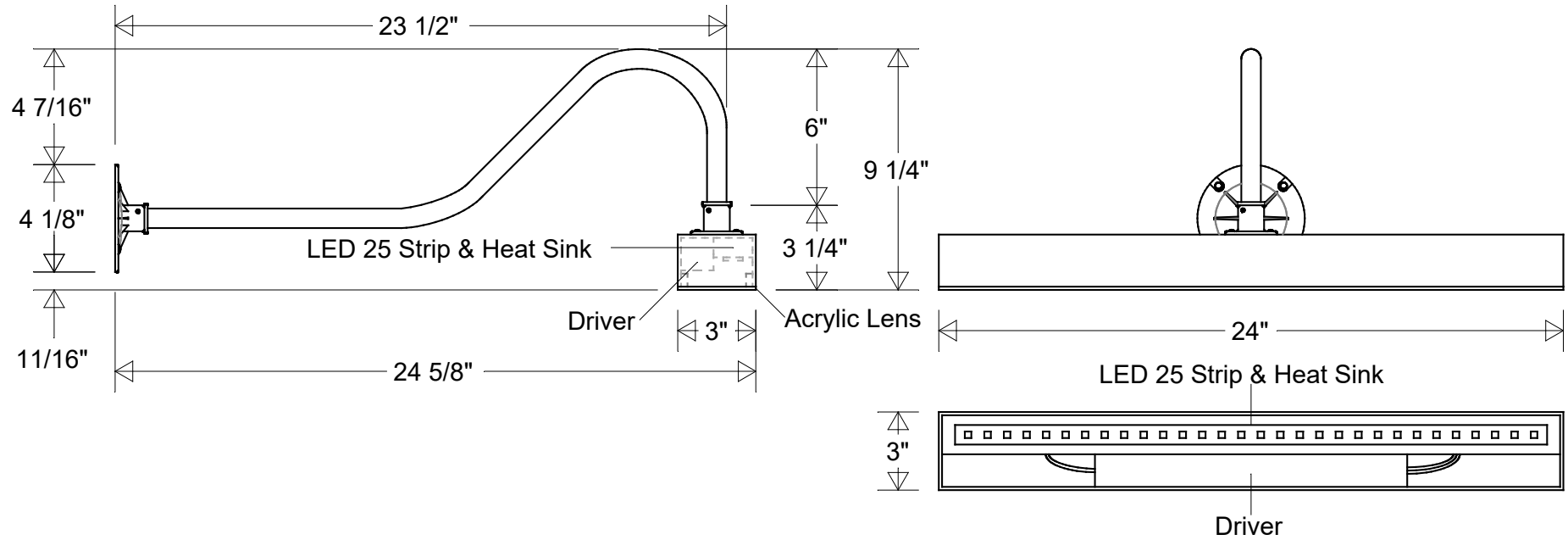


Primelite Manufacturing Corp

407 S Main St, Freeport, NY 11520

Phone: 516-868-4411 | Fax: 516-868-4609
 sales@primelite-mfg.com | www.primelite-mfg.com

PART # #5744/850 LED 25	LAMP Built-In LED	VOLTAGE 120 - 277 V	COLOR Powder Coated Paint
JOB NAME			TYPE Linear Wall Light



Lamp: LED 25 Strip
 35K = 3920 Lumens
 5K = 3920 Lumens



Construction:
 Aluminum | Acrylic

Unless Otherwise Specified:
 Dimensions in Inches

	Initials	Date
Drawn	CB	09/2022
Checked		
ENG Appr.		
MFR Appr.		
QA		

Wall Light #5744/850 LED 25		
24" L 24 5/8" Ext 9 1/4" H		
Acrylic Lens: White (-3) Clear (-4) Frosted (-5)		
Size A	Drawing No. 0001	Rev A

Scale	CAD File	Sheet 1 of 1
-------	----------	------------------------

Revisions				
Zone	Rev	Description	Date	Appr

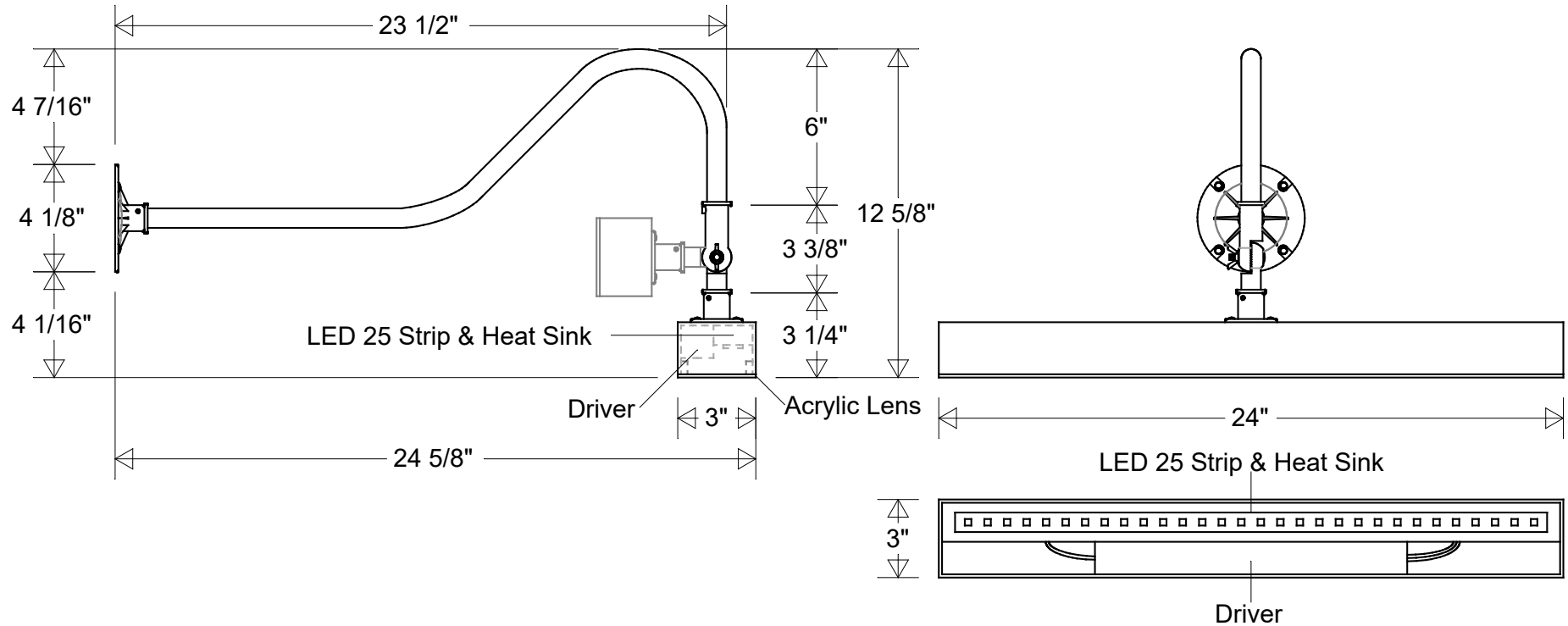


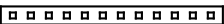
Primelite Manufacturing Corp

407 S Main St, Freeport, NY 11520

Phone: 516-868-4411 | Fax: 516-868-4609
 sales@primelite-mfg.com | www.primelite-mfg.com

PART # #5744/850 ESW LED 25	LAMP Built-In LED	VOLTAGE 120 - 277 V	COLOR Powder Coated Paint
JOB NAME			TYPE Linear Wall Light



Lamp: LED 25 Strip 35K = 3920 Lumens 5K = 3920 Lumens 	Initials	Date	Wall Light #5744/850 ESW LED 25			
	Drawn	CB				09/2022
	Checked			24" L 24 5/8" Ext 12 5/8" H		
	ENG Appr.			Acrylic Lens: White (-3) Clear (-4) Frosted (-5)		
Construction: Aluminum Acrylic	MFR Appr.		Size	Drawing No.	Rev	
	QA		A	0001	A	
Unless Otherwise Specified: Dimensions in Inches	Weight:		Scale	CAD File	Sheet	
					1 of 1	

Revisions				
Zone	Rev	Description	Date	Appr

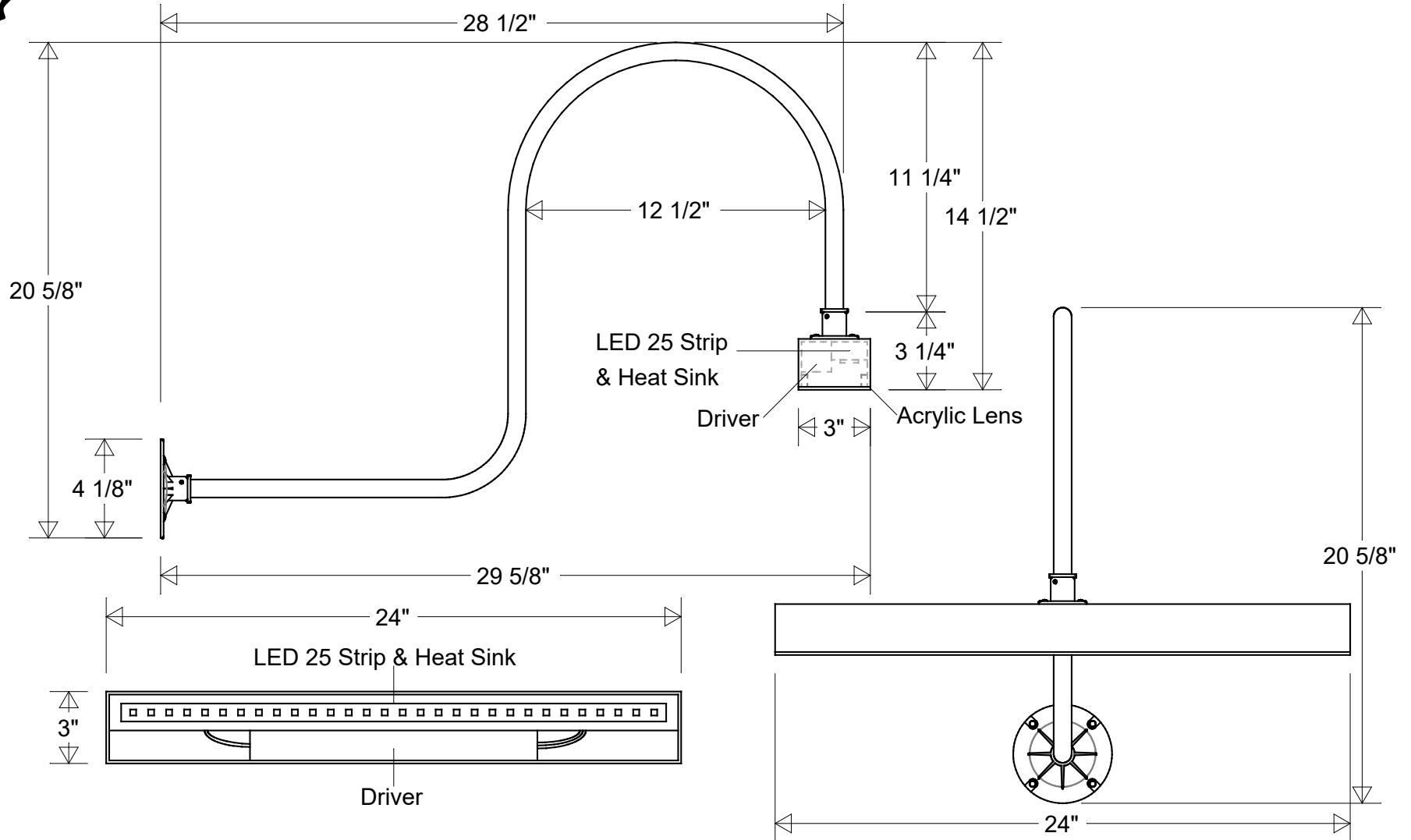


Primelite Manufacturing Corp

407 S Main St, Freeport, NY 11520

Phone: 516-868-4411 | Fax: 516-868-4609
 sales@primelite-mfg.com | www.primelite-mfg.com

PART # #5744/851 LED 25	LAMP Built-In LED	VOLTAGE 120 - 277 V	COLOR Powder Coated Paint
JOB NAME			TYPE Linear Wall Light



Lamp: LED 25 Strip
 35K = 3920 Lumens
 5K = 3920 Lumens

Construction:
 Aluminum | Acrylic

Unless Otherwise Specified:
 Dimensions in Inches

Initials	Date
Drawn CB	09/2022
Checked	
ENG Appr.	
MFR Appr.	
QA	
Weight:	

Wall Light #5744/851 LED 25		
24" L 29 5/8" Ext 20 5/8" H		
Acrylic Lens: White (-3) Clear (-4) Frosted (-5)		
Size A	Drawing No. 0001	Rev A
Scale	CAD File	Sheet 1 of 1

Revisions				
Zone	Rev	Description	Date	Appr

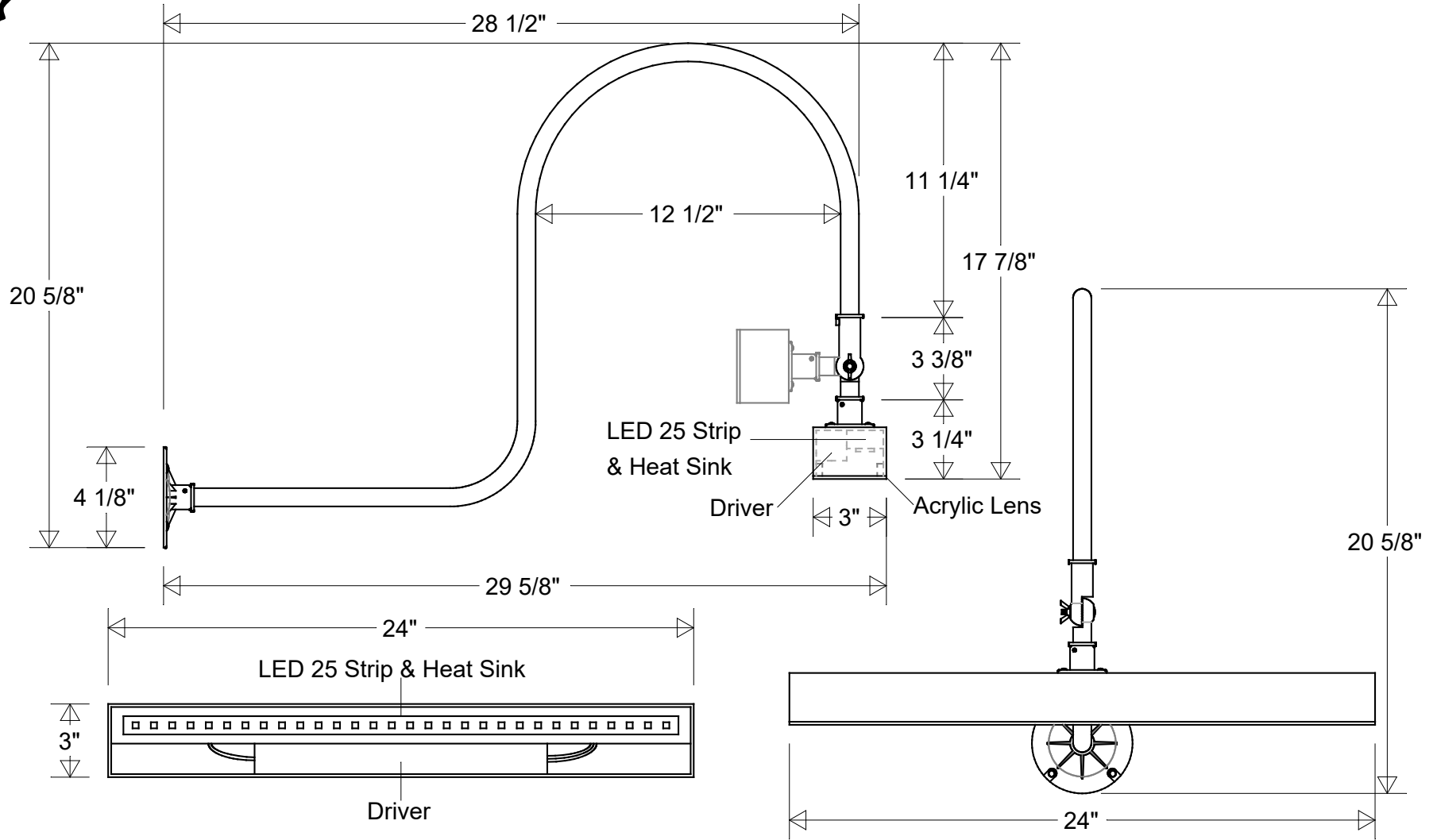


Primelite Manufacturing Corp

407 S Main St, Freeport, NY 11520

Phone: 516-868-4411 | Fax: 516-868-4609
 sales@primelite-mfg.com | www.primelite-mfg.com

PART # #5744/851 ESW LED 25	LAMP Built-In LED	VOLTAGE 120 - 277 V	COLOR Powder Coated Paint
JOB NAME			TYPE Linear Wall Light



Lamp: LED 25 Strip
 35K = 3920 Lumens
 5K = 3920 Lumens



Construction:
 Aluminum | Acrylic

Unless Otherwise Specified:
 Dimensions in Inches

	Initials	Date
Drawn	CB	09/2022
Checked		
ENG Appr.		
MFR Appr.		
QA		

Wall Light #5744/851 ESW LED 25

24" L | 29 5/8" Ext | 20 5/8" H

Acrylic Lens: White (-3) | Clear (-4) | Frosted (-5)

Size	Drawing No.	Rev
A	0001	A

Scale	CAD File	Sheet
		1 of 1

Revisions

Zone	Rev	Description	Date	Appr

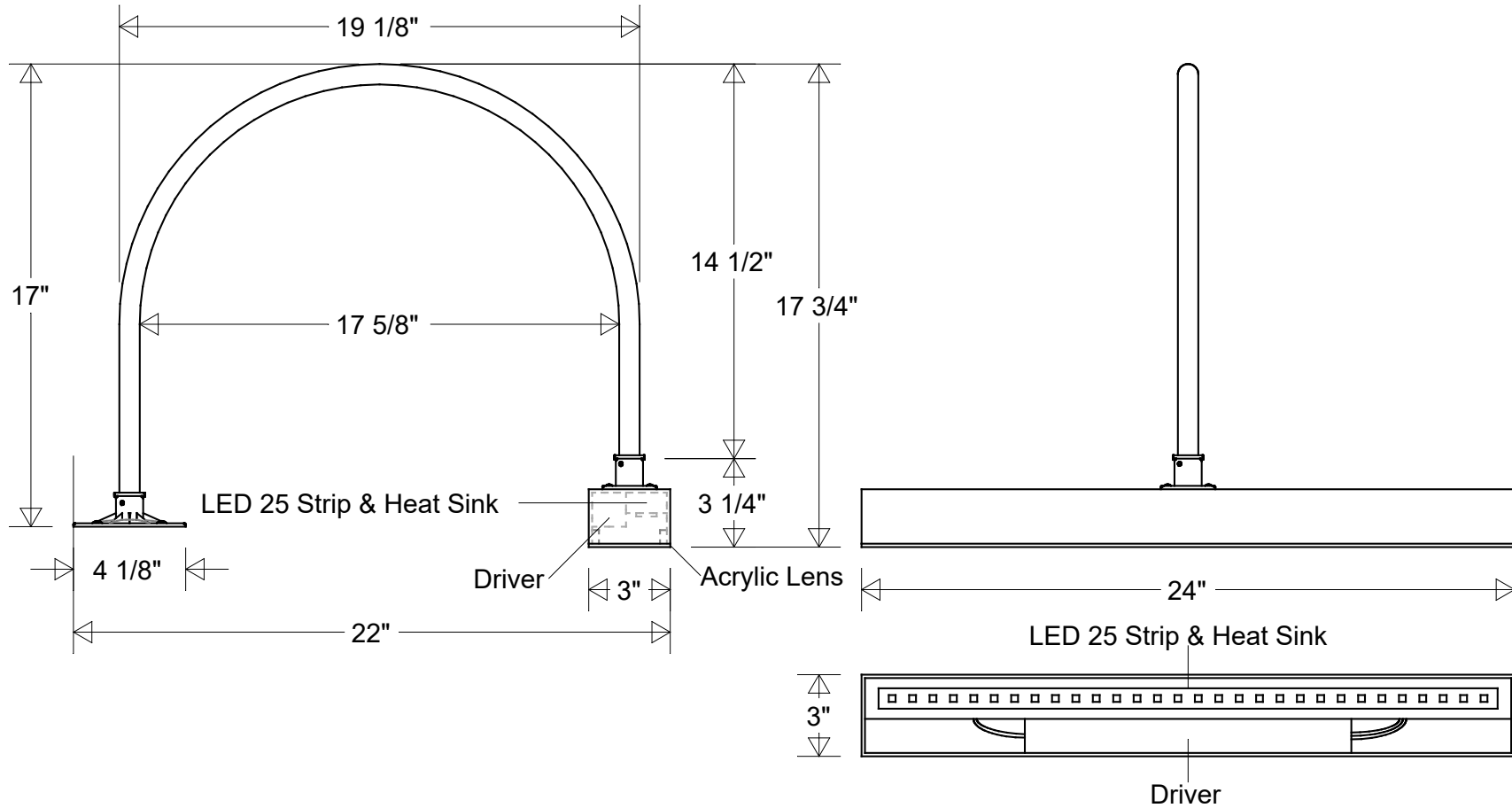


Primelite Manufacturing Corp

407 S Main St, Freeport, NY 11520

Phone: 516-868-4411 | Fax: 516-868-4609
 sales@primelite-mfg.com | www.primelite-mfg.com

PART # #5744/852 LED 25	LAMP Built-In LED	VOLTAGE 120 - 277 V	COLOR Powder Coated Paint
JOB NAME			TYPE Linear Parapet Light



Lamp: LED 25 Strip
 35K = 3920 Lumens
 5K = 3920 Lumens

	Initials	Date
Drawn	CB	09/2022
Checked		
ENG Appr.		
MFR Appr.		
QA		

Parapet Light #5744/852 LED 25

24" L | 22" Ext | 17 3/4" H

Acrylic Lens: White (-3) | Clear (-4) | Frosted (-5)

Construction:
Aluminum | Acrylic

Weight:

Size	Drawing No.	Rev
A	0001	A
Scale	CAD File	Sheet
		1 of 1

Revisions				
Zone	Rev	Description	Date	Appr

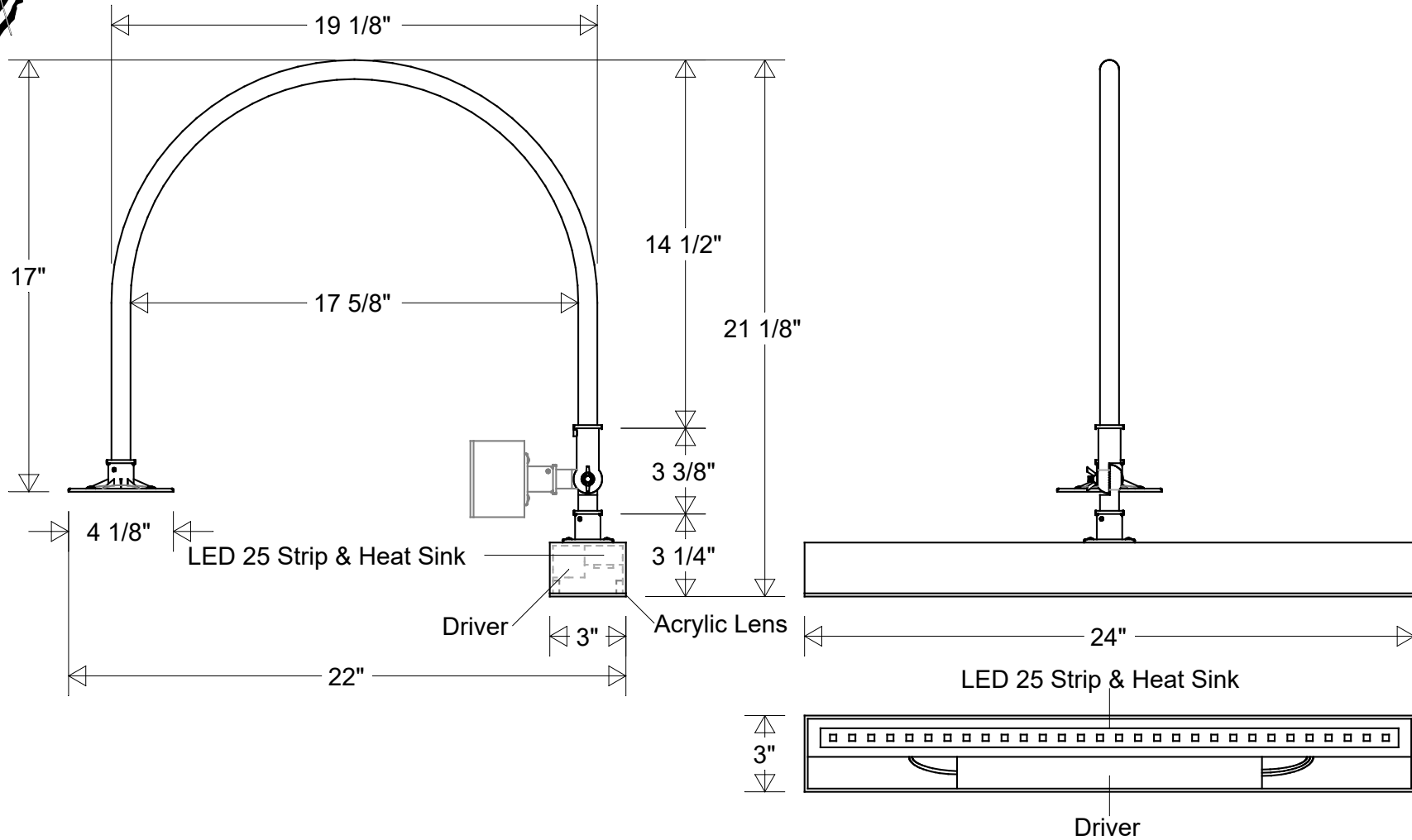


Primelite Manufacturing Corp

407 S Main St, Freeport, NY 11520

Phone: 516-868-4411 | Fax: 516-868-4609
 sales@primelite-mfg.com | www.primelite-mfg.com

PART # #5744/852 ESW LED 25	LAMP Built-In LED	VOLTAGE 120 - 277 V	COLOR Powder Coated Paint
JOB NAME			TYPE Linear Parapet Light



Lamp: LED 25 Strip
 35K = 3920 Lumens
 5K = 3920 Lumens



Construction:
 Aluminum | Acrylic

Unless Otherwise Specified:
 Dimensions in Inches

	Initials	Date
Drawn	CB	09/2022
Checked		
ENG Appr.		
MFR Appr.		
QA		

Parapet Light #5744/852 ESW LED 25

24" L | 22" Ext | 21 1/8" H

Acrylic Lens: White (-3) | Clear (-4) | Frosted (-5)

Size	Drawing No.	Rev
A	0001	A

Scale	CAD File	Sheet
		1 of 1

Revisions				
Zone	Rev	Description	Date	Appr

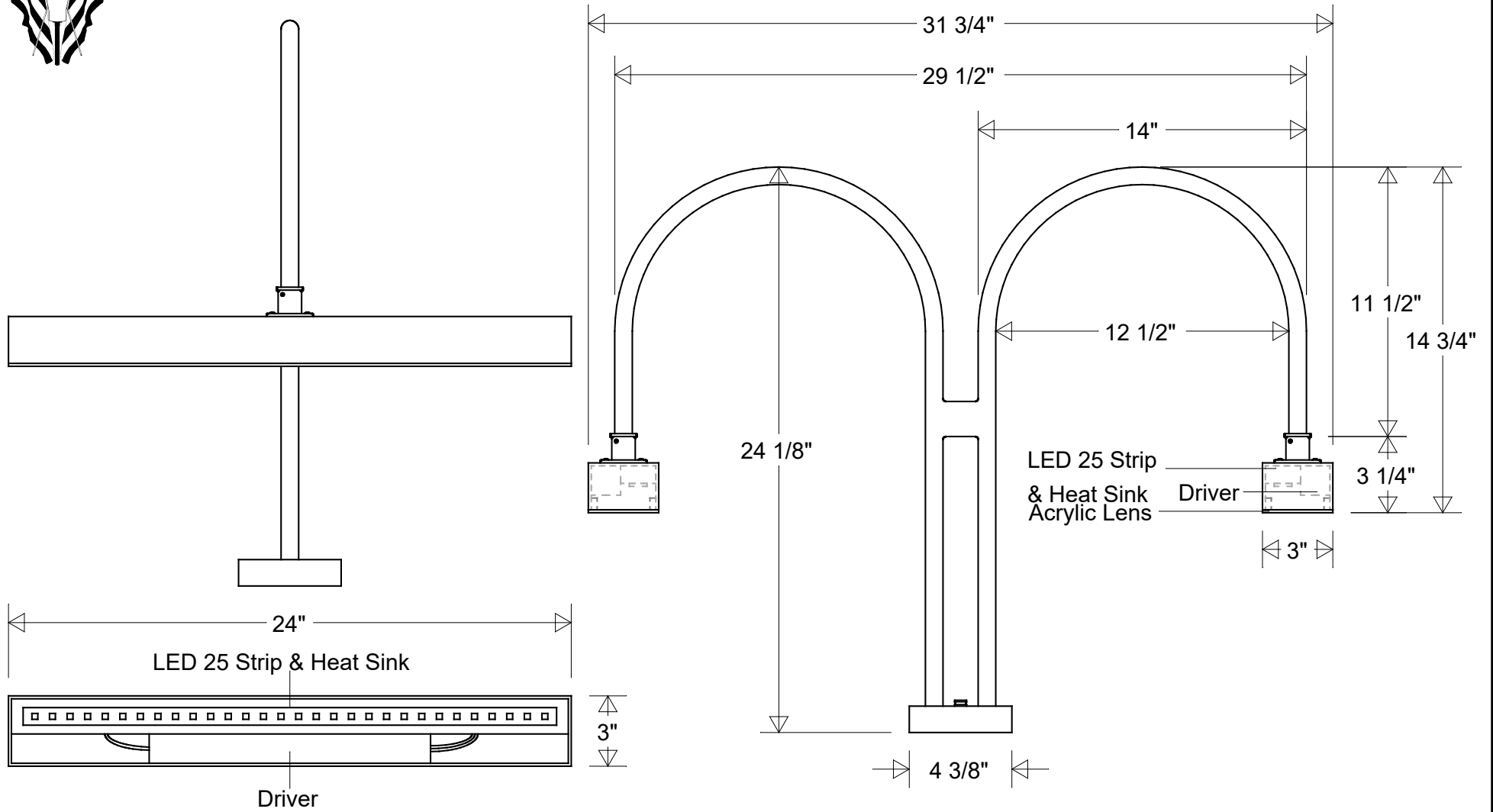


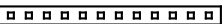
Primelite Manufacturing Corp

407 S Main St, Freeport, NY 11520

Phone: 516-868-4411 | Fax: 516-868-4609
 sales@primelite-mfg.com | www.primelite-mfg.com

PART # #5744/852-2 LED 50	LAMP Built-In LED	VOLTAGE 120 - 277 V	COLOR Powder Coated Paint
JOB NAME			TYPE Linear Parapet Light



Lamp: LED 25 Strip 35K = 3920 Lumens 5K = 3920 Lumens 	Initials	Date	<h2>Parapet Light #5744/852-2 LED 50</h2>			
	Drawn	CB				09/2022
	Checked			24" L 31 3/4" Ext 24 1/8" H		
	ENG Appr.			Acrylic Lens: White (-3) Clear (-4) Frosted (-5)		
Construction: Aluminum Acrylic	MFR Appr.		Size	Drawing No.	Rev	
	QA		A	0001	A	
Unless Otherwise Specified: Dimensions in Inches	Weight:		Scale	CAD File	Sheet	
					1 of 1	

Revisions				
Zone	Rev	Description	Date	Appr

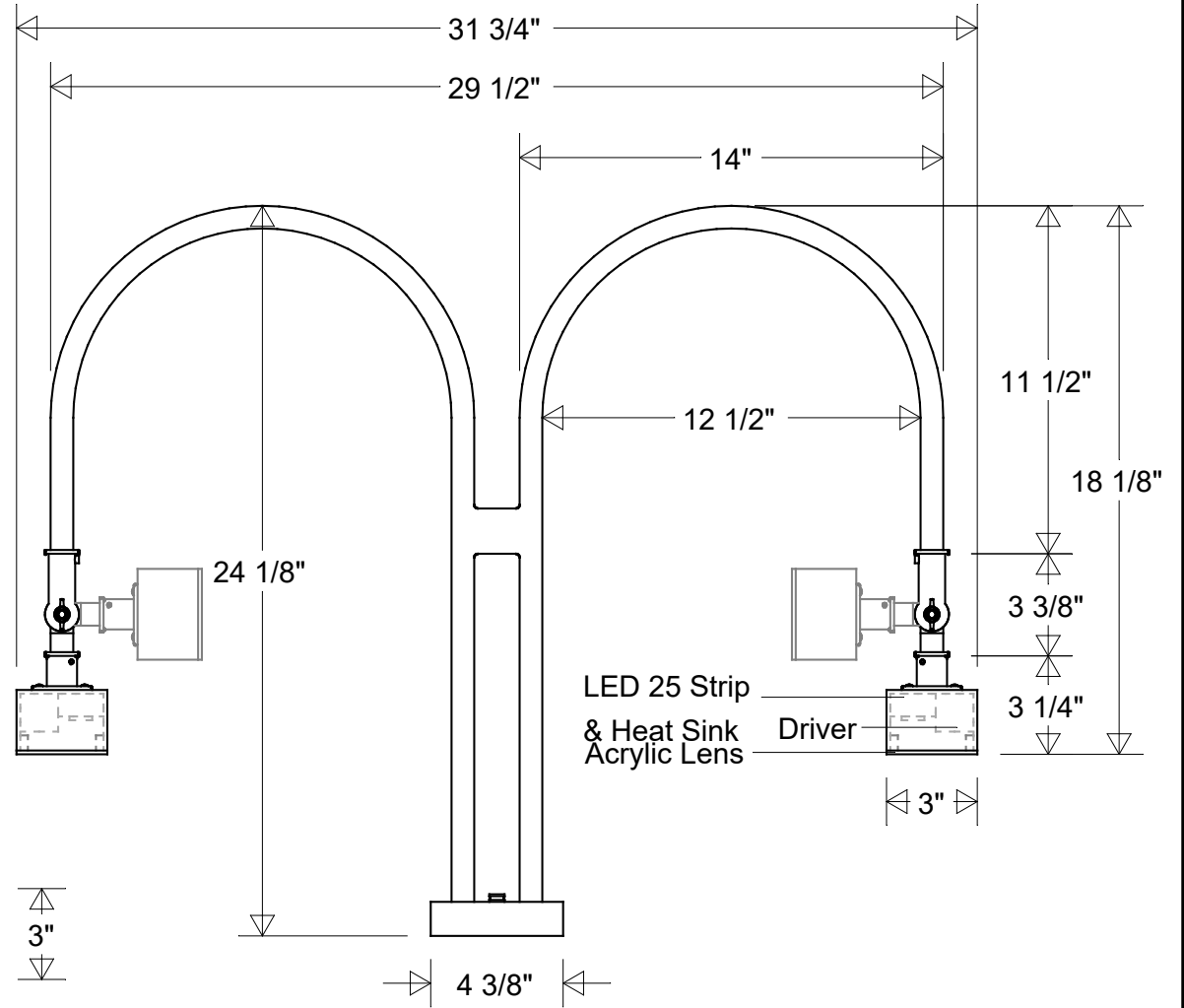
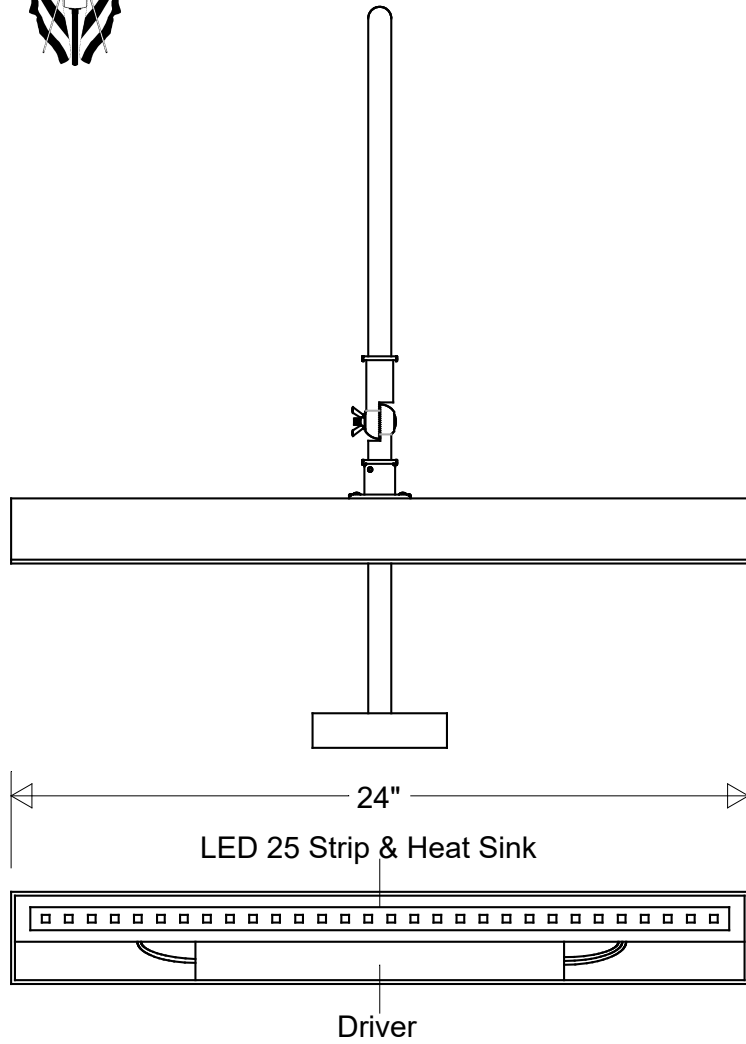



Primelite Manufacturing Corp

407 S Main St, Freeport, NY 11520

Phone: 516-868-4411 | Fax: 516-868-4609
 sales@primelite-mfg.com | www.primelite-mfg.com

PART # #5744/852-2 ESW LED 50	LAMP Built-In LED	VOLTAGE 120 - 277 V	COLOR Powder Coated Paint
JOB NAME			TYPE Linear Parapet Light



Lamp: LED 25 Strip 35K = 3920 Lumens 5K = 3920 Lumens 	Initials	Date	<h2>Parapet Light #5744/852-2 ESW LED 50</h2> <p>24" L 31 3/4" Ext 24 1/8" H</p> <p>Acrylic Lens: White (-3) Clear (-4) Frosted (-5)</p>								
	Drawn	CB						09/2022			
	Checked			Size		Drawing No.	Rev	Revisions			
Construction: Aluminum Acrylic	MFR Appr.			A	0001	A	Zone	Rev	Description	Date	Appr
Unless Otherwise Specified: Dimensions in Inches	Weight:			Scale	CAD File	Sheet					
						1 of 1					

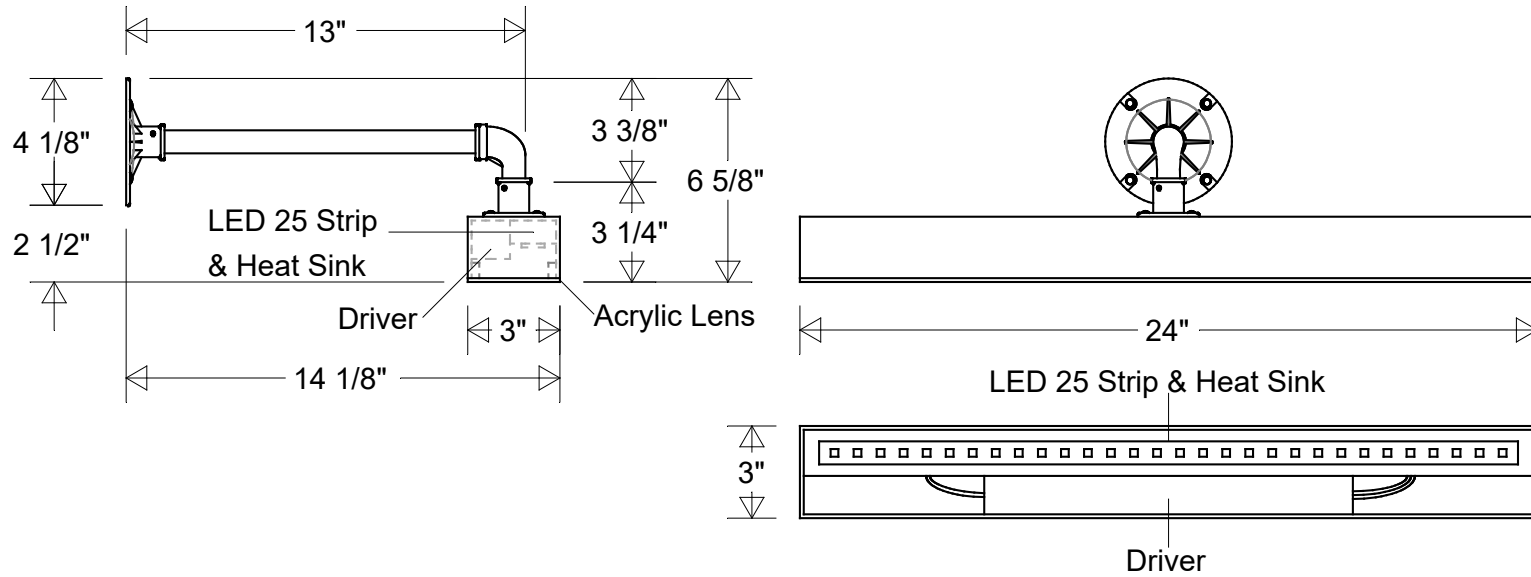


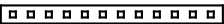
Primelite Manufacturing Corp

407 S Main St, Freeport, NY 11520

Phone: 516-868-4411 | Fax: 516-868-4609
 sales@primelite-mfg.com | www.primelite-mfg.com

PART # #5744/855-13 LED 25	LAMP Built-In LED	VOLTAGE 120 - 277 V	COLOR Powder Coated Paint
JOB NAME			TYPE Linear Wall Light



Lamp: LED 25 Strip 35K = 3920 Lumens 5K = 3920 Lumens 	Initials	Date	Wall Light #5744/855-13 LED 25			
	Drawn	CB				09/2022
	Checked			24" L 14 1/8" Ext 6 5/8" H		
	ENG Appr.			Acrylic Lens: White (-3) Clear (-4) Frosted (-5)		
Construction: Aluminum Acrylic	MFR Appr.		Size A	Drawing No. 0001	Rev A	
Unless Otherwise Specified: Dimensions in Inches	Weight:		Scale	CAD File	Sheet 1 of 1	

Revisions				
Zone	Rev	Description	Date	Appr

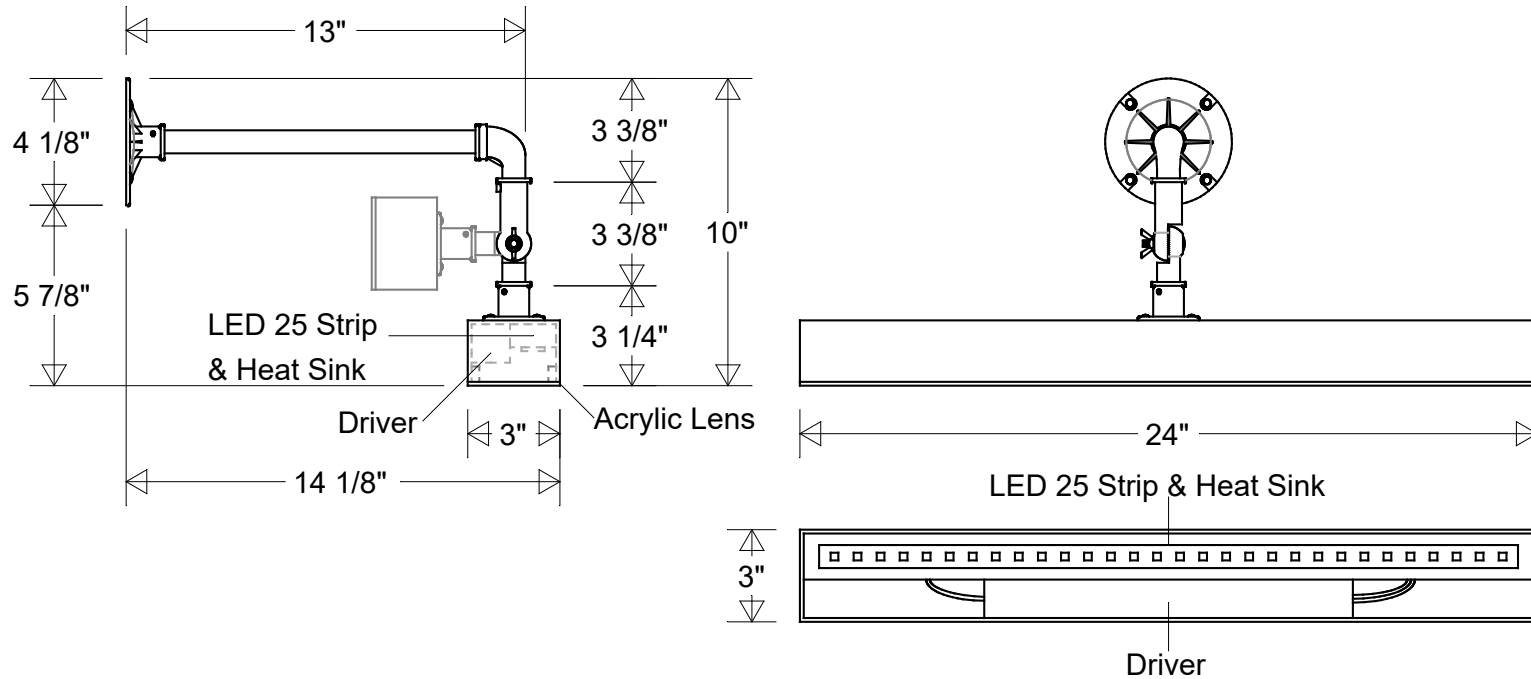


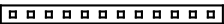
Primelite Manufacturing Corp

407 S Main St, Freeport, NY 11520

Phone: 516-868-4411 | Fax: 516-868-4609
 sales@primelite-mfg.com | www.primelite-mfg.com

PART # #5744/855-13 ESW LED 25	LAMP Built-In LED	VOLTAGE 120 - 277 V	COLOR Powder Coated Paint
JOB NAME			TYPE Linear Wall Light



Lamp: LED 25 Strip 35K = 3920 Lumens 5K = 3920 Lumens 	Initials	Date	Wall Light #5744/855-13 ESW LED 25			
	Drawn	CB				09/2022
	Checked			24" L 14 1/8" Ext 10" H		
	ENG Appr.			Acrylic Lens: White (-3) Clear (-4) Frosted (-5)		
Construction: Aluminum Acrylic	MFR Appr.		Size	Drawing No.	Rev	
	QA		A	0001	A	
Unless Otherwise Specified: Dimensions in Inches	Weight:		Scale	CAD File	Sheet	
					1 of 1	

Revisions				
Zone	Rev	Description	Date	Appr



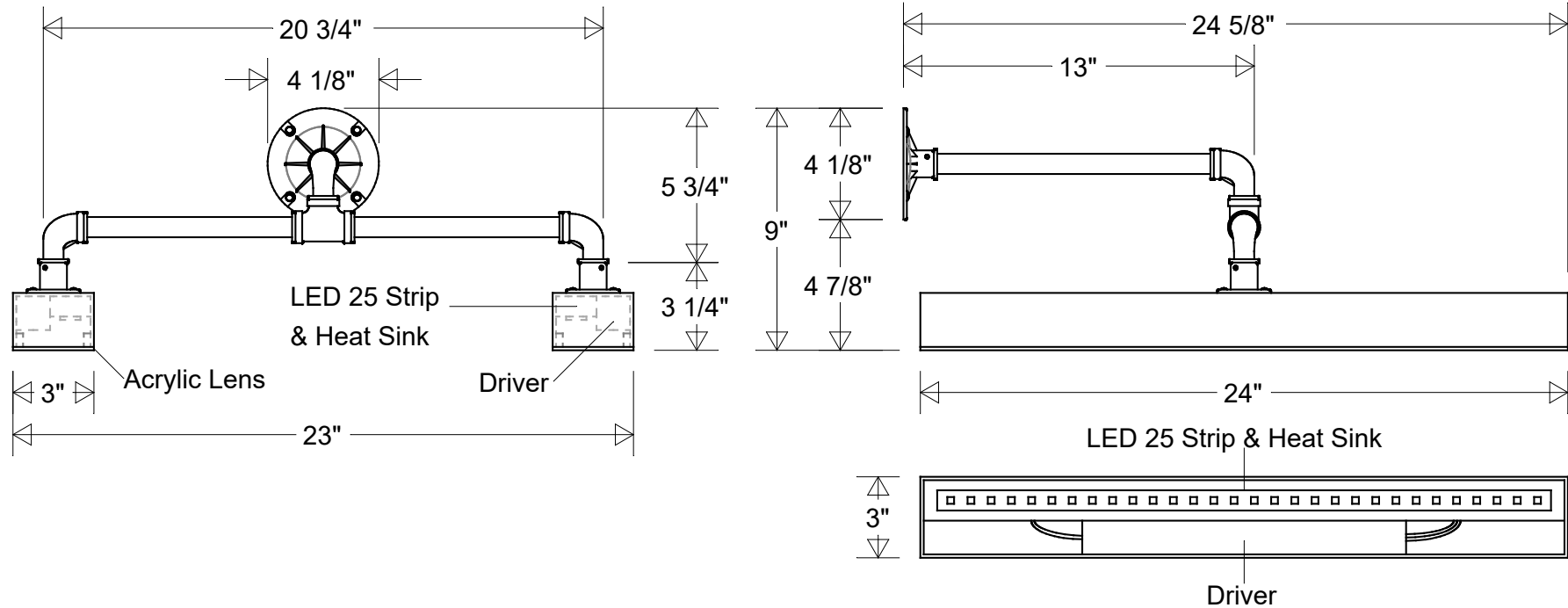
Primelite Manufacturing Corp

407 S Main St, Freeport, NY 11520

Phone: 516-868-4411 | Fax: 516-868-4609

sales@primelite-mfg.com | www.primelite-mfg.com

PART # #5744/858-13 LED 50	LAMP Built-In LED	VOLTAGE 120 - 277 V	COLOR Powder Coated Paint
JOB NAME			TYPE Linear Wall Light



Lamp: LED 25 Strip
35K = 3920 Lumens
5K = 3920 Lumens



Construction:
Aluminum | Acrylic

Unless Otherwise Specified:
Dimensions in Inches

	Initials	Date
Drawn	CB	09/2022
Checked		
ENG Appr.		
MFR Appr.		
QA		

Wall Light #5744/858-13 LED 50

24" L | 24 5/8" Ext | 9" H | 23" W

Acrylic Lens: White (-3) | Clear (-4) | Frosted (-5)

Size	Drawing No.	Rev
A	0001	A

Scale	CAD File	Sheet
		1 of 1

Revisions

Zone	Rev	Description	Date	Appr

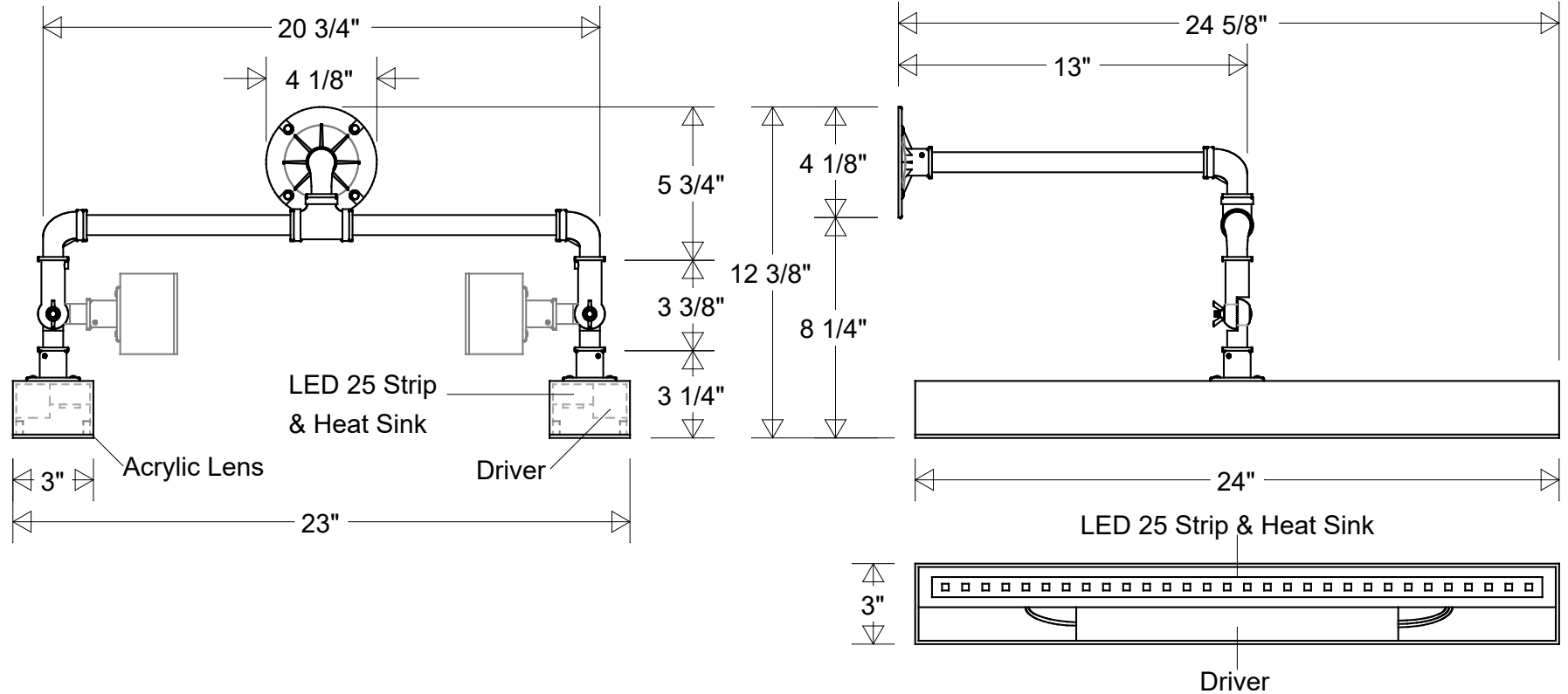


Primelite Manufacturing Corp

407 S Main St, Freeport, NY 11520

Phone: 516-868-4411 | Fax: 516-868-4609
 sales@primelite-mfg.com | www.primelite-mfg.com

PART # #5744/858-13 ESW LED 50	LAMP Built-In LED	VOLTAGE 120 - 277 V	COLOR Powder Coated Paint
JOB NAME			TYPE Linear Wall Light



Lamp: LED 25 Strip
 35K = 3920 Lumens
 5K = 3920 Lumens



Construction:
 Aluminum | Acrylic

Unless Otherwise Specified:
 Dimensions in Inches

	Initials	Date
Drawn	CB	09/2022
Checked		
ENG Appr.		
MFR Appr.		
QA		

Wall Light #5744/858-13 ESW LED 50

24" L | 24 5/8" Ext | 12 3/8" H | 23" W

Acrylic Lens: White (-3) | Clear (-4) | Frosted (-5)

Size	Drawing No.	Rev
A	0001	A

Scale	CAD File	Sheet
		1 of 1

Revisions

Zone	Rev	Description	Date	Appr

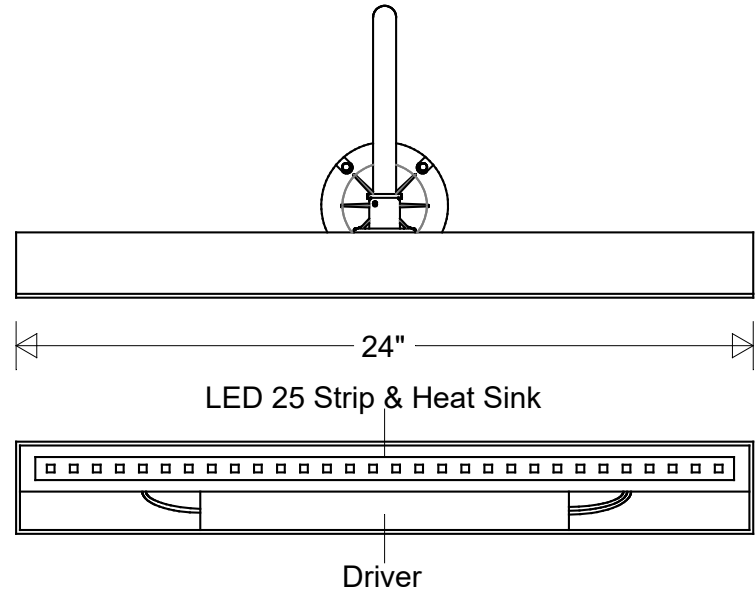
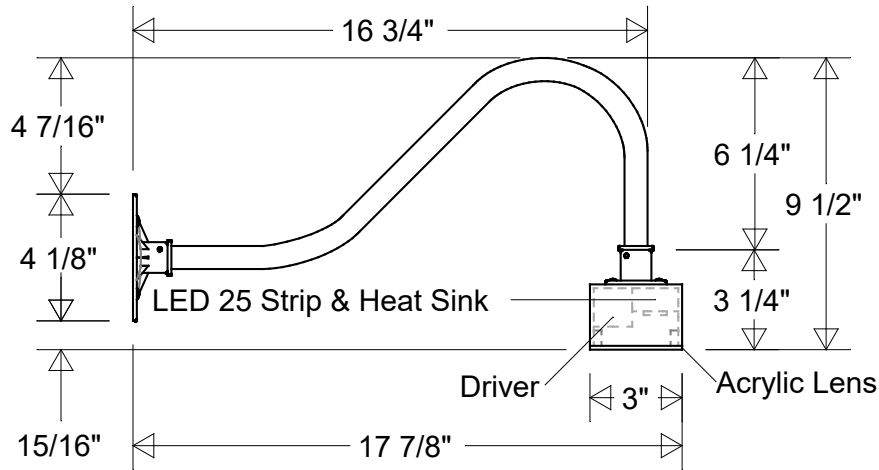


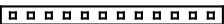
Primelite Manufacturing Corp

407 S Main St, Freeport, NY 11520

Phone: 516-868-4411 | Fax: 516-868-4609
 sales@primelite-mfg.com | www.primelite-mfg.com

PART # #5744/859 LED 25	LAMP Built-In LED	VOLTAGE 120 - 277 V	COLOR Powder Coated Paint
JOB NAME			TYPE Linear Wall Light



Lamp: LED 25 Strip 35K = 3920 Lumens 5K = 3920 Lumens 	Initials	Date	<h2>Wall Light #5744/859 LED 25</h2>			
	Drawn	CB				09/2022
	Checked			24" L 17 7/8" Ext 9 1/2" H Acrylic Lens: White (-3) Clear (-4) Frosted (-5)		
	ENG Appr.			Size	Drawing No.	Rev
Construction: Aluminum Acrylic	MFR Appr.		A	0001	A	
Unless Otherwise Specified: Dimensions in Inches	Weight:		Scale	CAD File	Sheet 1 of 1	

Revisions				
Zone	Rev	Description	Date	Appr



Primelite Manufacturing Corp

407 S Main St, Freeport, NY 11520

Phone: 516-868-4411 | Fax: 516-868-4609

sales@primelite-mfg.com | www.primelite-mfg.com

PART #

#5744/859 ESW LED 25

LAMP

Built-In LED

VOLTAGE

120 - 277 V

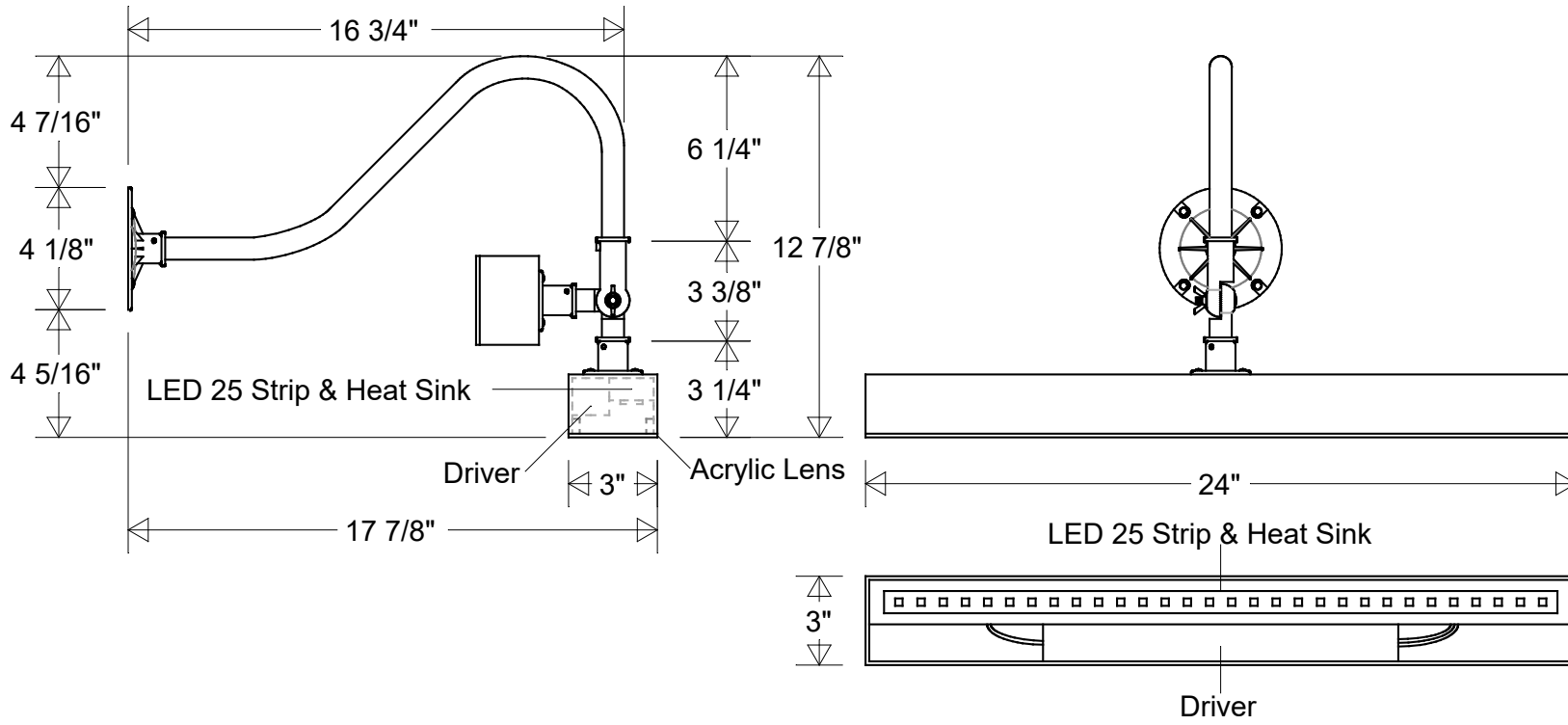
COLOR

Powder Coated Paint

JOB NAME

TYPE

Linear Wall Light



Lamp: LED 25 Strip
35K = 3920 Lumens
5K = 3920 Lumens



	Initials	Date
Drawn	CB	09/2022
Checked		
ENG Appr.		
MFR Appr.		
QA		

Wall Light #5744/859 ESW LED 25

24" L | 17 7/8" Ext | 12 7/8" H

Acrylic Lens: White (-3) | Clear (-4) | Frosted (-5)

Size	Drawing No.	Rev
A	0001	A

Revisions

Zone	Rev	Description	Date	Appr

Construction:
Aluminum | Acrylic

Unless Otherwise Specified:
Dimensions in Inches

Weight:

Scale	CAD File	Sheet
		1 of 1

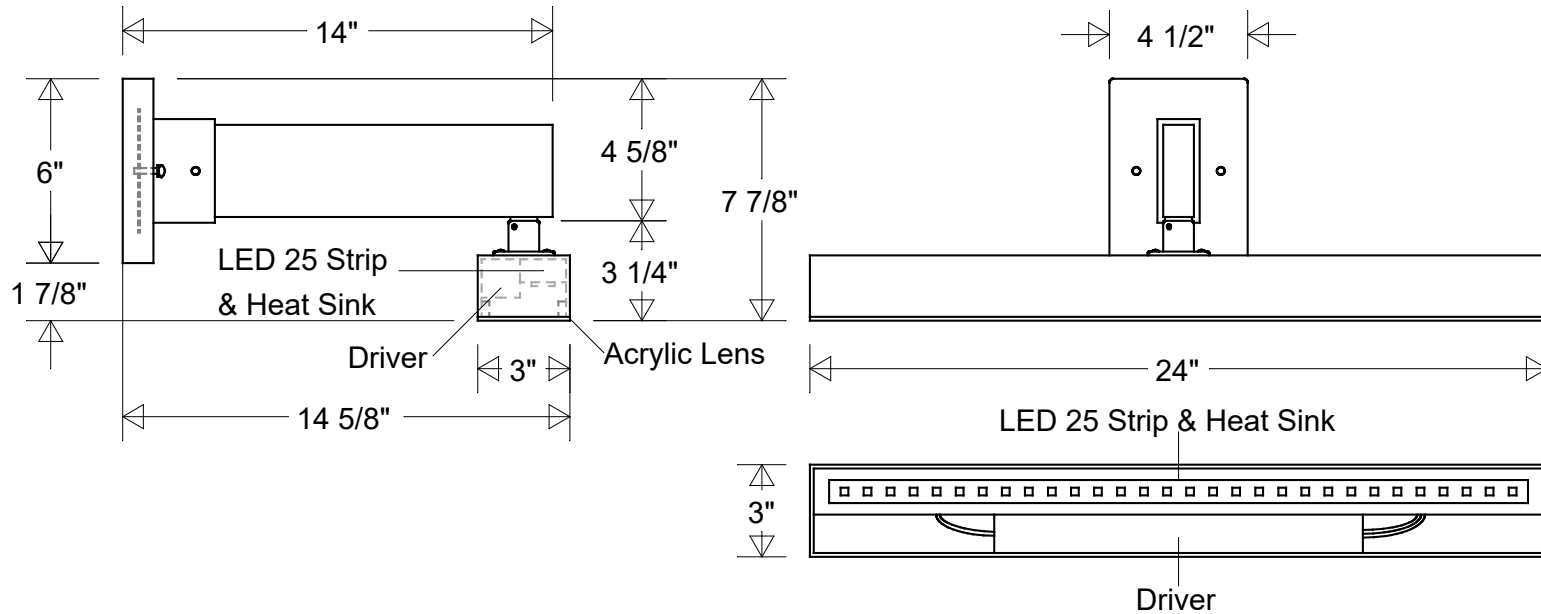


Primelite Manufacturing Corp

407 S Main St, Freeport, NY 11520

Phone: 516-868-4411 | Fax: 516-868-4609
 sales@primelite-mfg.com | www.primelite-mfg.com

PART # #5744/861 LED 25	LAMP Built-In LED	VOLTAGE 120 - 277 V	COLOR Powder Coated Paint
JOB NAME			TYPE Linear Wall Light



Lamp: LED 25 Strip
 35K = 3920 Lumens
 5K = 3920 Lumens



	Initials	Date
Drawn	CB	09/2022
Checked		
ENG Appr.		
MFR Appr.		
QA		

Wall Light #5744/861 LED 25

24" L | 14 5/8" Ext | 7 7/8" H

Acrylic Lens: White (-3) | Clear (-4) | Frosted (-5)

Size	Drawing No.	Rev
A	0001	A

Revisions

Zone	Rev	Description	Date	Appr

Unless Otherwise Specified:
 Dimensions in Inches

Weight:

Scale	CAD File	Sheet
		1 of 1

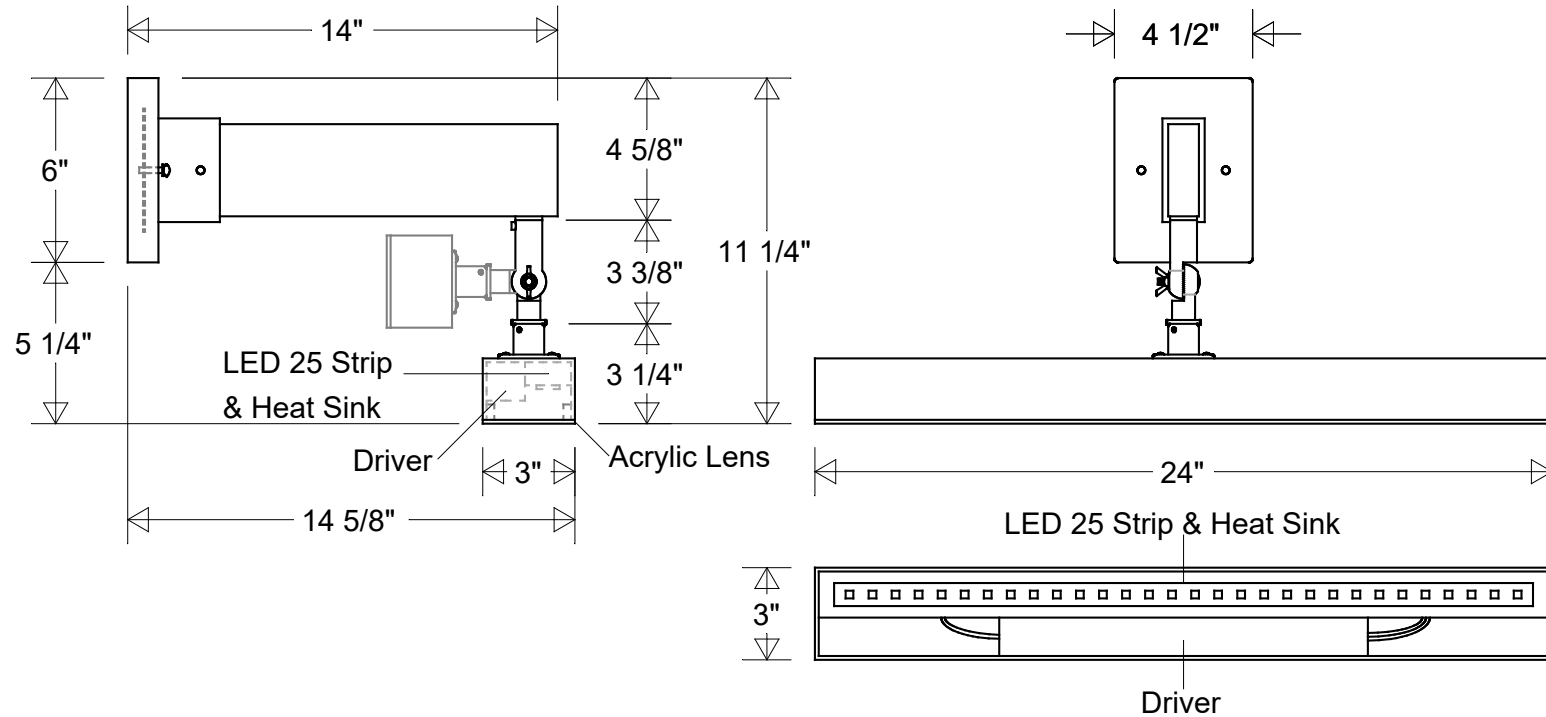


Primelite Manufacturing Corp

407 S Main St, Freeport, NY 11520

Phone: 516-868-4411 | Fax: 516-868-4609
 sales@primelite-mfg.com | www.primelite-mfg.com

PART # #5744/861 ESW LED 25	LAMP Built-In LED	VOLTAGE 120 - 277 V	COLOR Powder Coated Paint
JOB NAME			TYPE Linear Wall Light



Lamp: LED 25 Strip
 35K = 3920 Lumens
 5K = 3920 Lumens



	Initials	Date
Drawn	CB	09/2022
Checked		
ENG Appr.		
MFR Appr.		
QA		

Wall Light #5744/861 ESW LED 25

24" L | 14 5/8" Ext | 11 1/4" H

Acrylic Lens: White (-3) | Clear (-4) | Frosted (-5)

Size	Drawing No.	Rev
A	0001	A

Revisions

Zone	Rev	Description	Date	Appr

Unless Otherwise Specified:
 Dimensions in Inches

Weight:	Scale	CAD File	Sheet
			1 of 1

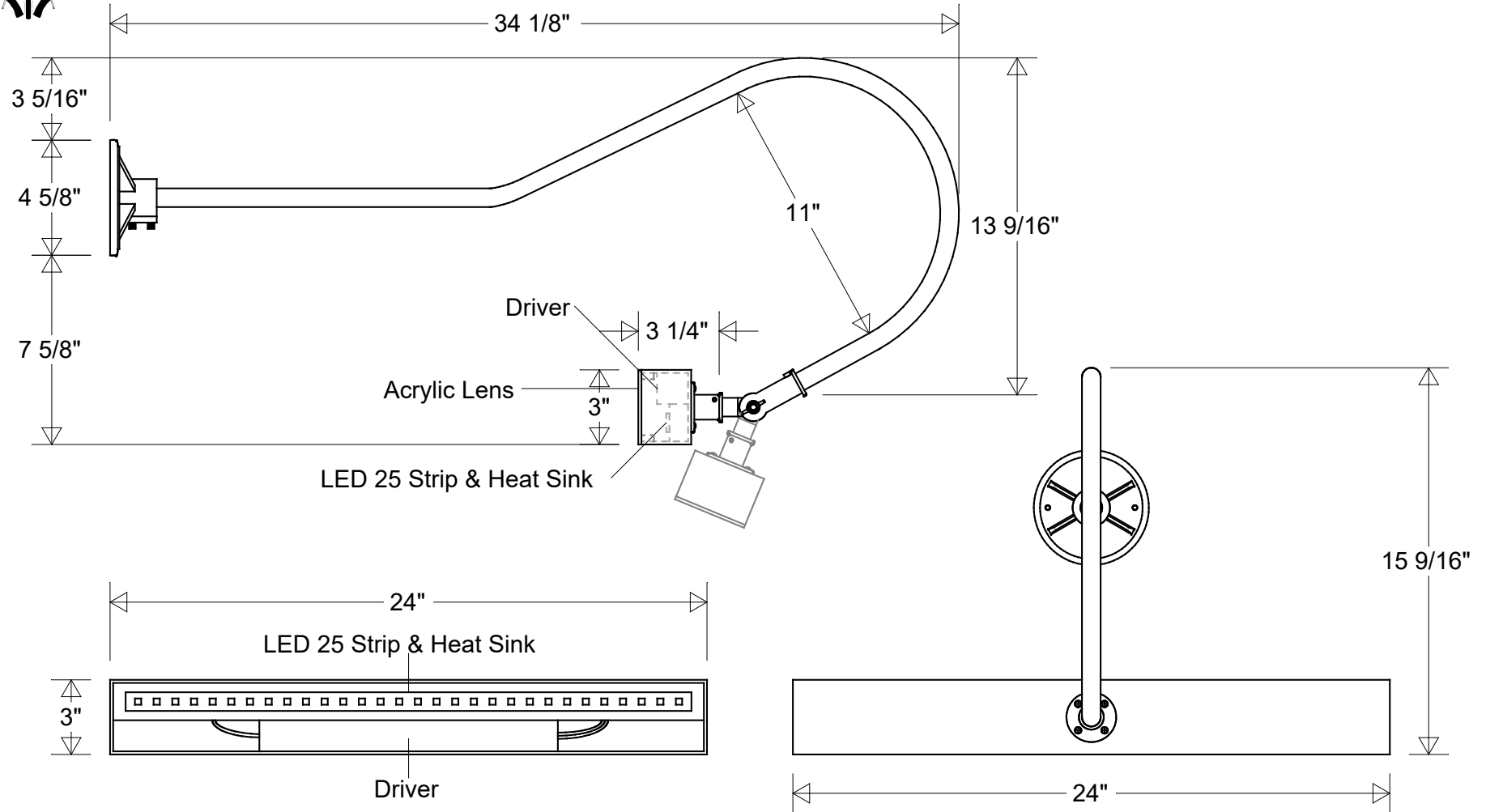


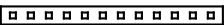
Primelite Manufacturing Corp

407 S Main St, Freeport, NY 11520

Phone: 516-868-4411 | Fax: 516-868-4609
 sales@primelite-mfg.com | www.primelite-mfg.com

PART # #5744/864 ESW HDC LED 25	LAMP Built-In LED	VOLTAGE 120 - 277 V	COLOR Powder Coated Paint
JOB NAME			TYPE Linear Wall Light



Lamp: LED 25 Strip 35K = 3920 Lumens 5K = 3920 Lumens 	Initials	Date	<h2>Wall Light #5744/864 ESW HDC LED 25</h2>			
	Drawn	CB				09/2022
	Checked			24" L 34 1/8" Ext 15 9/16" H Acrylic Lens: White (-3) Clear (-4) Frosted (-5)		
	ENG Appr.			Size	Drawing No.	Rev
Construction: Aluminum Acrylic	MFR Appr.		A	0001	A	
Unless Otherwise Specified: Dimensions in Inches	Weight:		Scale	CAD File	Sheet 1 of 1	

Revisions				
Zone	Rev	Description	Date	Appr

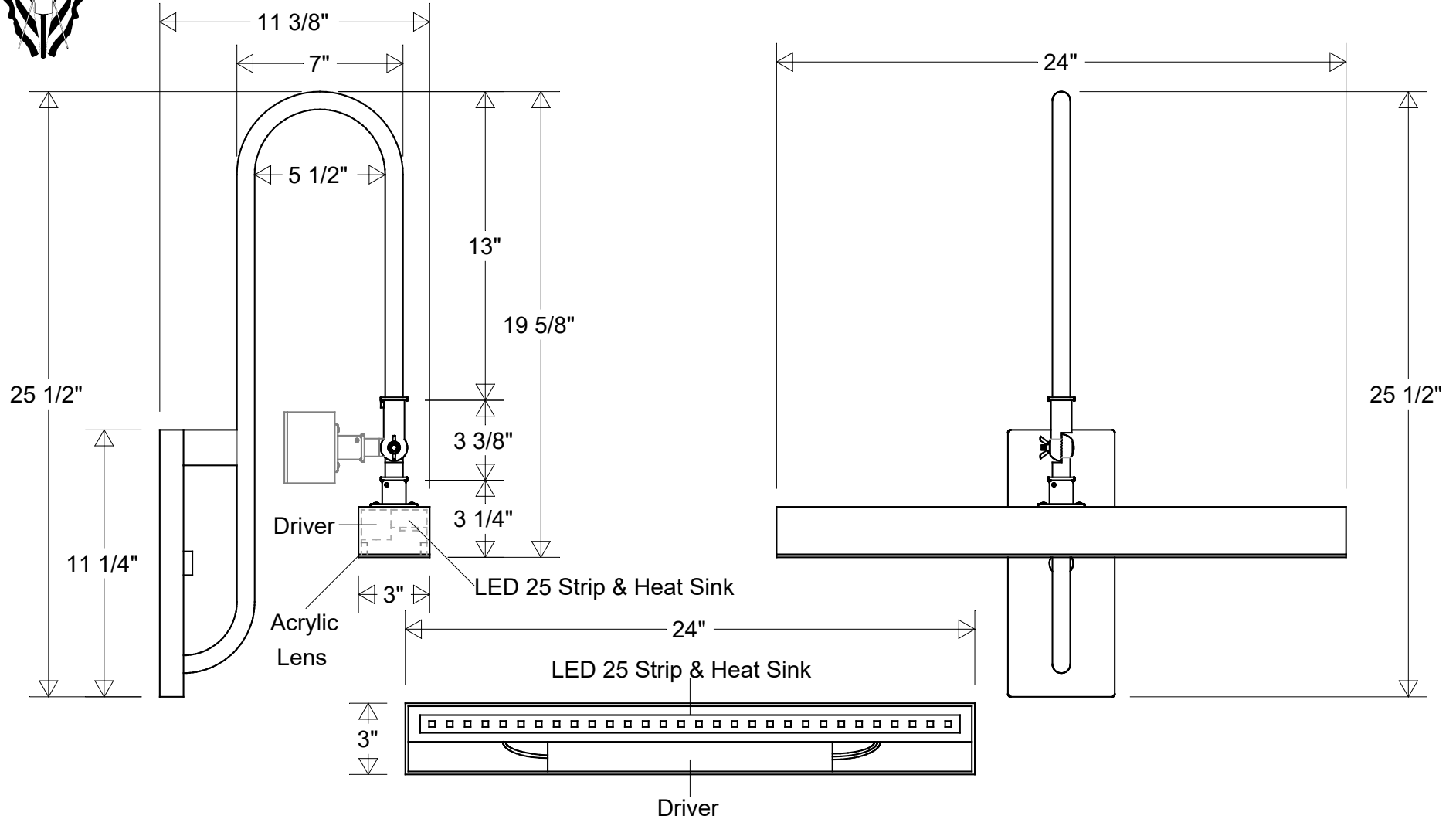


Primelite Manufacturing Corp

407 S Main St, Freeport, NY 11520

Phone: 516-868-4411 | Fax: 516-868-4609
 sales@primelite-mfg.com | www.primelite-mfg.com

PART # #5744/872 ESW LED 25	LAMP Built-In LED	VOLTAGE 120 - 277 V	COLOR Powder Coated Paint
JOB NAME			TYPE Linear Wall Light



Lamp: LED 25 Strip 35K = 3920 Lumens 5K = 3920 Lumens	Initials	Date
Drawn	CB	09/2022
Checked		
ENG Appr.		
MFR Appr.		
QA		
Construction: Aluminum Acrylic	Weight:	Scale
Unless Otherwise Specified: Dimensions in Inches		

Wall Light #5744/872 ESW LED 25		
24" L 11 3/8" Ext 25 1/2" H		
Acrylic Lens: White (-3) Clear (-4) Frosted (-5)		
Size A	Drawing No. 0001	Rev A
Scale	CAD File	Sheet 1 of 1

Revisions				
Zone	Rev	Description	Date	Appr



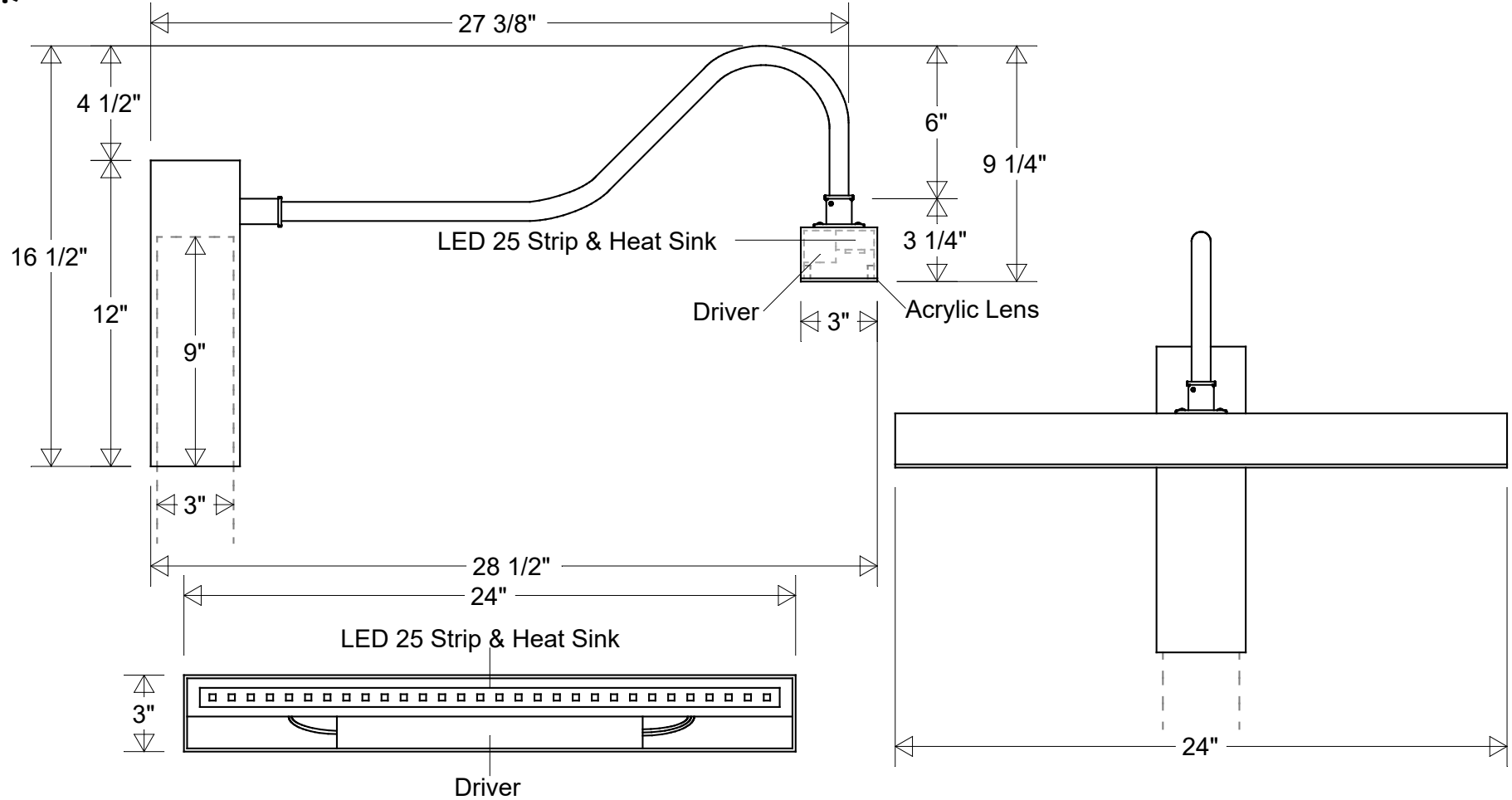
Primelite Manufacturing Corp

407 S Main St, Freeport, NY 11520

Phone: 516-868-4411 | Fax: 516-868-4609

sales@primelite-mfg.com | www.primelite-mfg.com

PART # #5744/1850 LED 25	LAMP Built-In LED	VOLTAGE 120 - 277 V	COLOR Powder Coated Paint
JOB NAME			TYPE Linear Post Light



Lamp: LED 25 Strip
35K = 3920 Lumens
5K = 3920 Lumens



	Initials	Date
Drawn	CB	09/2022
Checked		
ENG Appr.		
MFR Appr.		
QA		

Post Light #5744/1850 LED 25

24" L | 27 3/8" Ext | 16 1/2" H | Fits 3" OD Round Posts

Acrylic Lens: White (-3) | Clear (-4) | Frosted (-5)

Size	Drawing No.	Rev
A	0001	A

Revisions				
Zone	Rev	Description	Date	Appr

Unless Otherwise Specified:
Dimensions in Inches

Weight:	Scale	CAD File	Sheet
			1 of 1

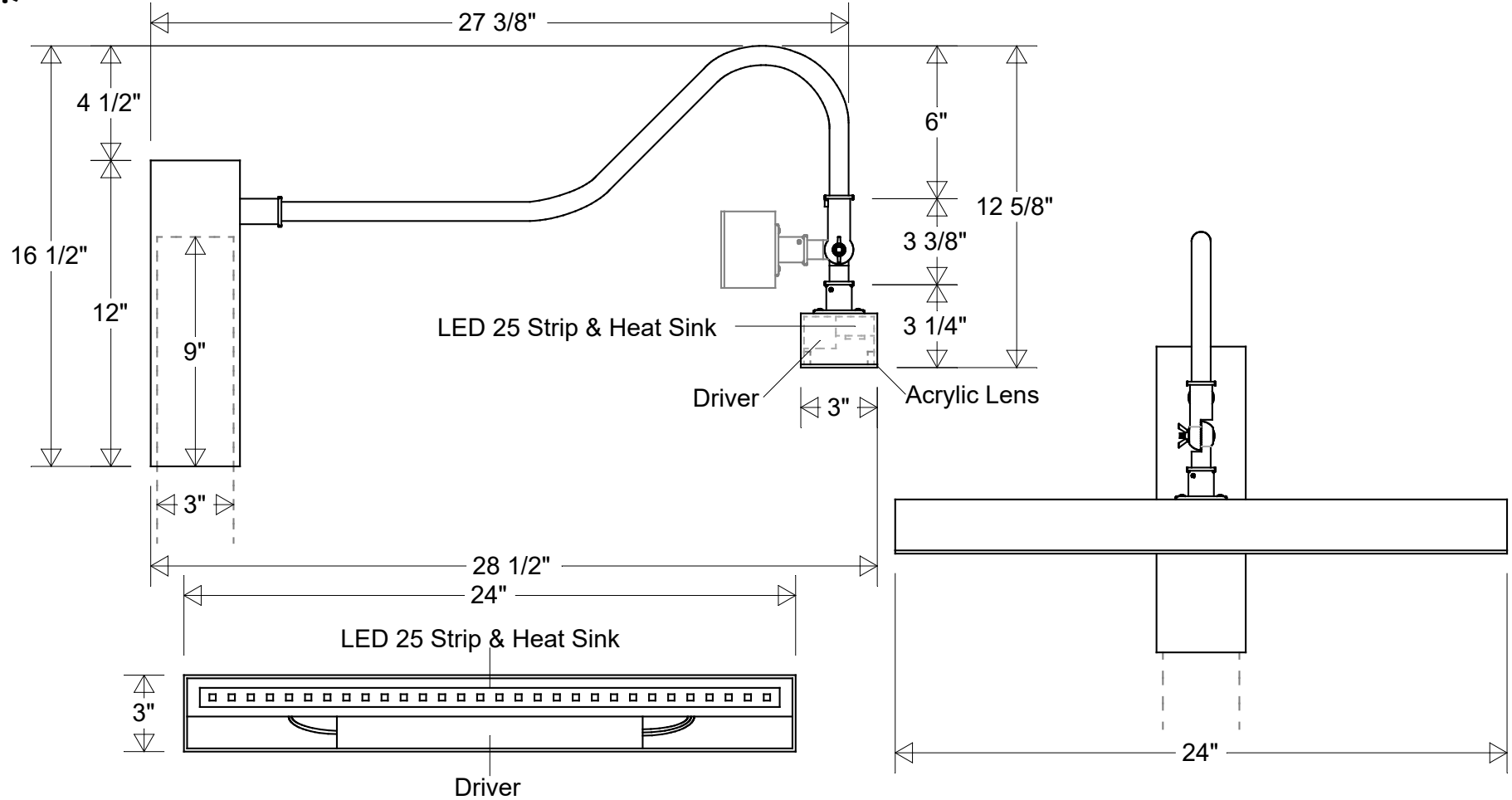


Primelite Manufacturing Corp

407 S Main St, Freeport, NY 11520

Phone: 516-868-4411 | Fax: 516-868-4609
 sales@primelite-mfg.com | www.primelite-mfg.com

PART # #5744/1850 ESW LED 25	LAMP Built-In LED	VOLTAGE 120 - 277 V	COLOR Powder Coated Paint
JOB NAME			TYPE Linear Post Light



Lamp: LED 25 Strip 35K = 3920 Lumens 5K = 3920 Lumens 	Initials	Date	Post Light #5744/1850 ESW LED 25			
	Drawn	CB				09/2022
	Checked			24" L 27 3/8" Ext 16 1/2" H Fits 3" OD Round Posts		
	ENG Appr.			Acrylic Lens: White (-3) Clear (-4) Frosted (-5)		
Construction: Aluminum Acrylic	MFR Appr.		Size	Drawing No.	Rev	
	QA		A	0001	A	
Unless Otherwise Specified: Dimensions in Inches	Weight:		Scale	CAD File	Sheet	
					1 of 1	

Revisions				
Zone	Rev	Description	Date	Appr

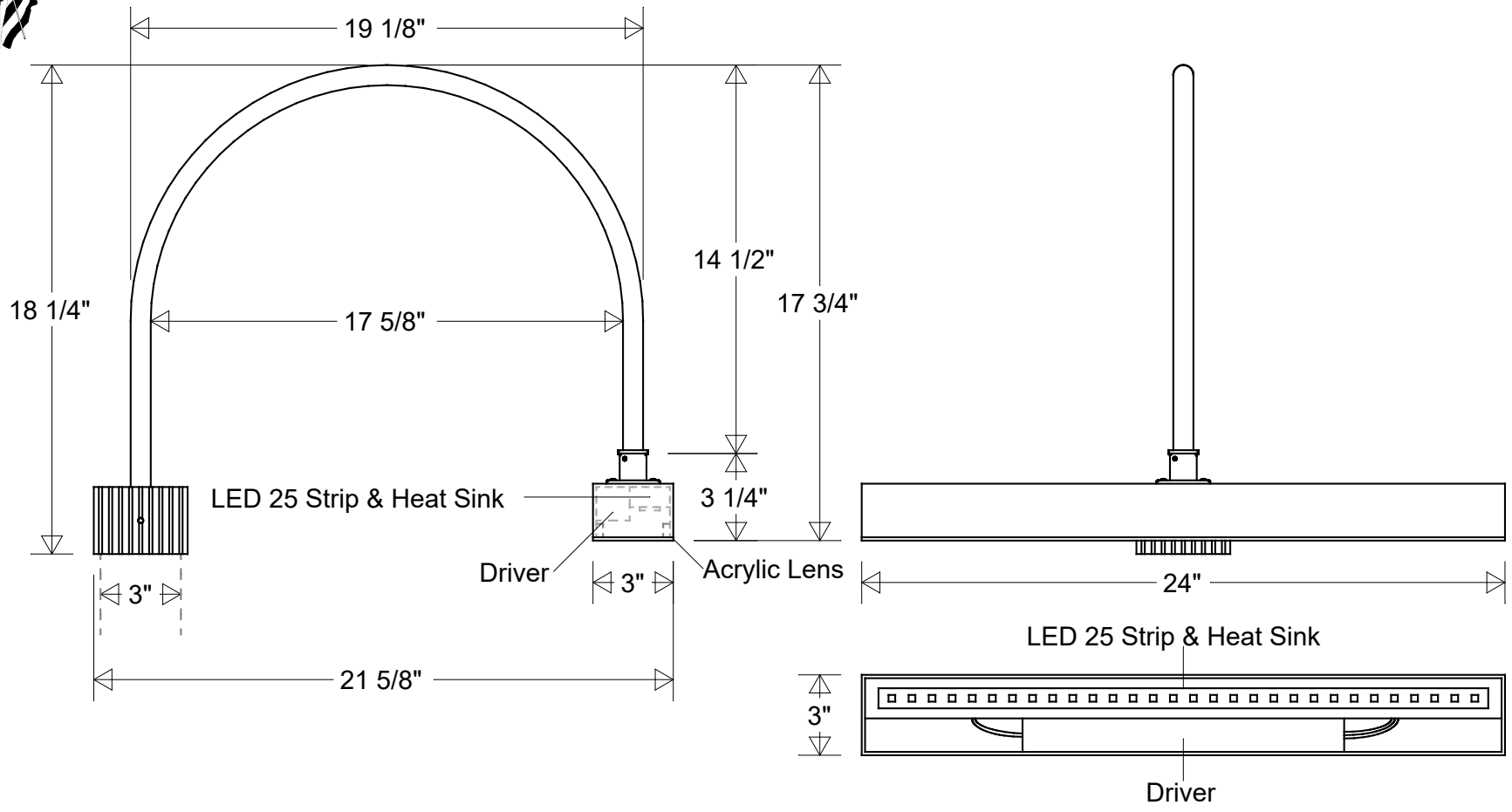


Primelite Manufacturing Corp

407 S Main St, Freeport, NY 11520

Phone: 516-868-4411 | Fax: 516-868-4609
 sales@primelite-mfg.com | www.primelite-mfg.com

PART # #5744/1852 LED 25	LAMP Built-In LED	VOLTAGE 120 - 277 V	COLOR Powder Coated Paint
JOB NAME			TYPE Linear Post Light



Lamp: LED 25 Strip
 35K = 3920 Lumens
 5K = 3920 Lumens

	Initials	Date
Drawn	CB	09/2022
Checked		
ENG Appr.		
MFR Appr.		
QA		

Post Light #5744/1852 LED 25

24" L | 21 5/8" Ext | 18 1/4" H | Fits 3" OD Round Posts

Acrylic Lens: White (-3) | Clear (-4) | Frosted (-5)

Construction:
Aluminum | Acrylic

Weight:

Size	Drawing No.	Rev
A	0001	A
Scale	CAD File	Sheet
		1 of 1

Revisions				
Zone	Rev	Description	Date	Appr

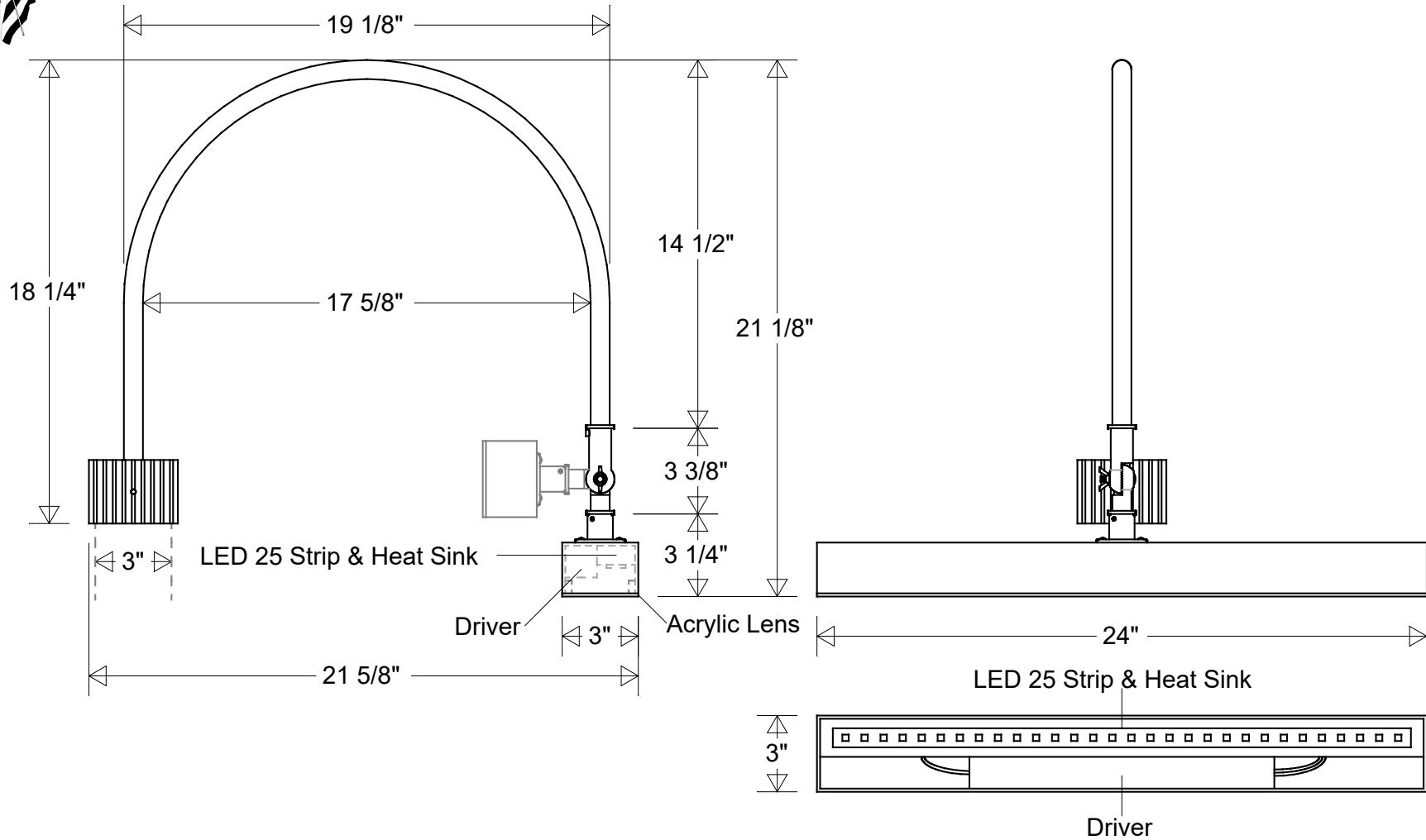


Primelite Manufacturing Corp

407 S Main St, Freeport, NY 11520

Phone: 516-868-4411 | Fax: 516-868-4609
 sales@primelite-mfg.com | www.primelite-mfg.com

PART # #5744/1852 ESW LED 25	LAMP Built-In LED	VOLTAGE 120 - 277 V	COLOR Powder Coated Paint
JOB NAME			TYPE Linear Post Light



Lamp: LED 25 Strip 35K = 3920 Lumens 5K = 3920 Lumens	Initials CB	Date 09/2022
Construction: Aluminum Acrylic	MFR Appr.	QA
Unless Otherwise Specified: Dimensions in Inches	Weight:	Scale

Post Light #5744/1852 ESW LED 25		
24" L 21 5/8" Ext 21 1/8" H Fits 3" OD Round Posts		
Acrylic Lens: White (-3) Clear (-4) Frosted (-5)		
Size A	Drawing No. 0001	Rev A
CAD File	Sheet 1 of 1	

Revisions				
Zone	Rev	Description	Date	Appr

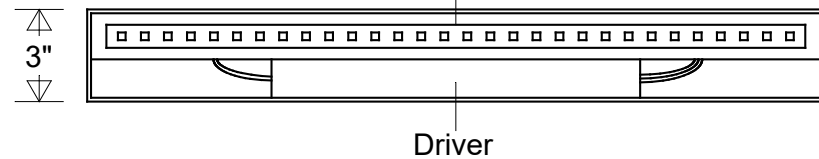
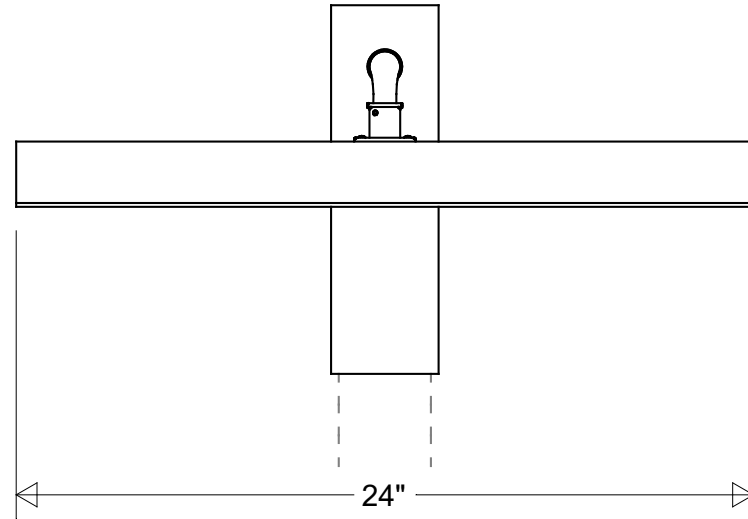
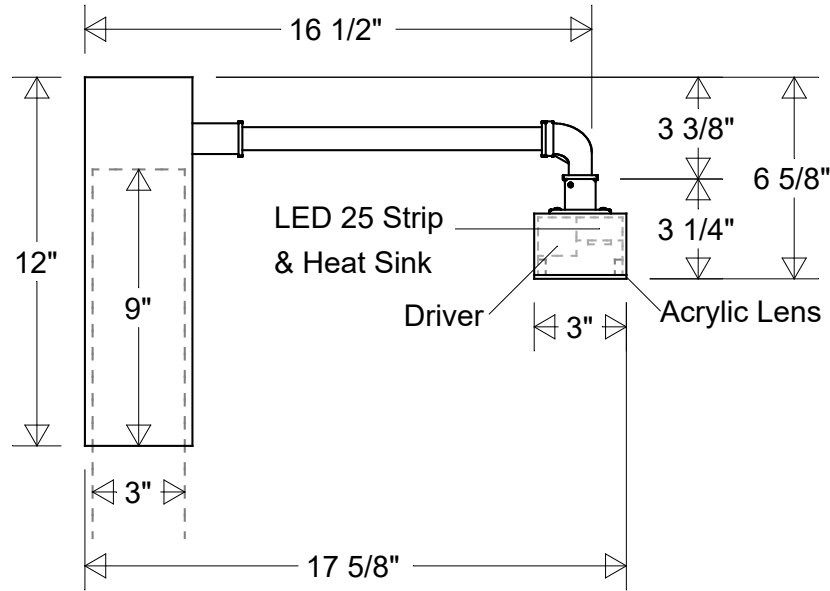


Primelite Manufacturing Corp

407 S Main St, Freeport, NY 11520

Phone: 516-868-4411 | Fax: 516-868-4609
 sales@primelite-mfg.com | www.primelite-mfg.com

PART # #5744/1855-13 LED 25	LAMP Built-In LED	VOLTAGE 120 - 277 V	COLOR Powder Coated Paint
JOB NAME			TYPE Linear Post Light



Lamp: LED 25 Strip
 35K = 3920 Lumens
 5K = 3920 Lumens



	Initials	Date
Drawn	CB	09/2022
Checked		
ENG Appr.		
MFR Appr.		
QA		

Post Light #5744/1855-13 LED 25

24" L | 17 5/8" Ext | 12" H | Fits 3" OD Round Posts

Acrylic Lens: White (-3) | Clear (-4) | Frosted (-5)

Size	Drawing No.	Rev
A	0001	A

Revisions				
Zone	Rev	Description	Date	Appr

Construction:
 Aluminum | Acrylic

Unless Otherwise Specified:
 Dimensions in Inches

Weight:

Scale	CAD File	Sheet
		1 of 1

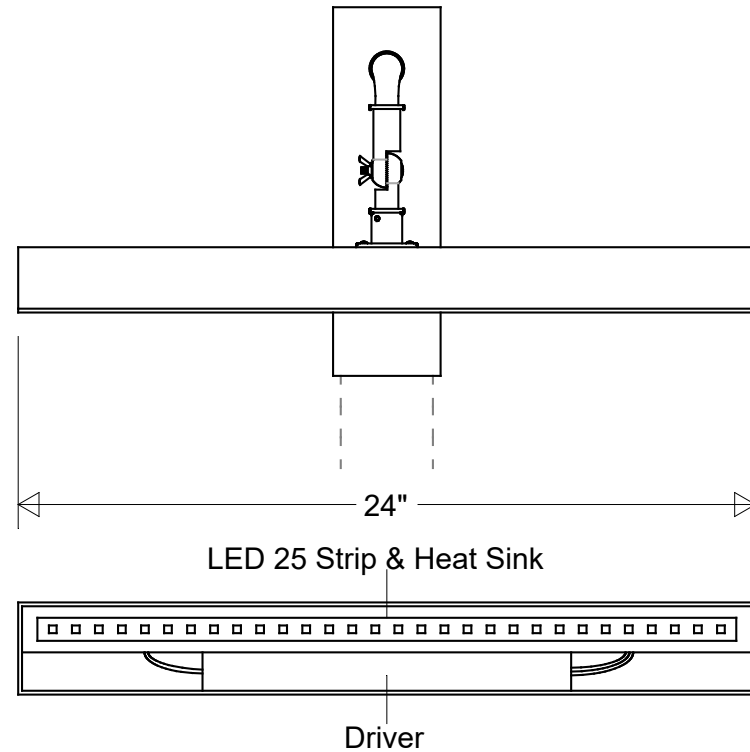
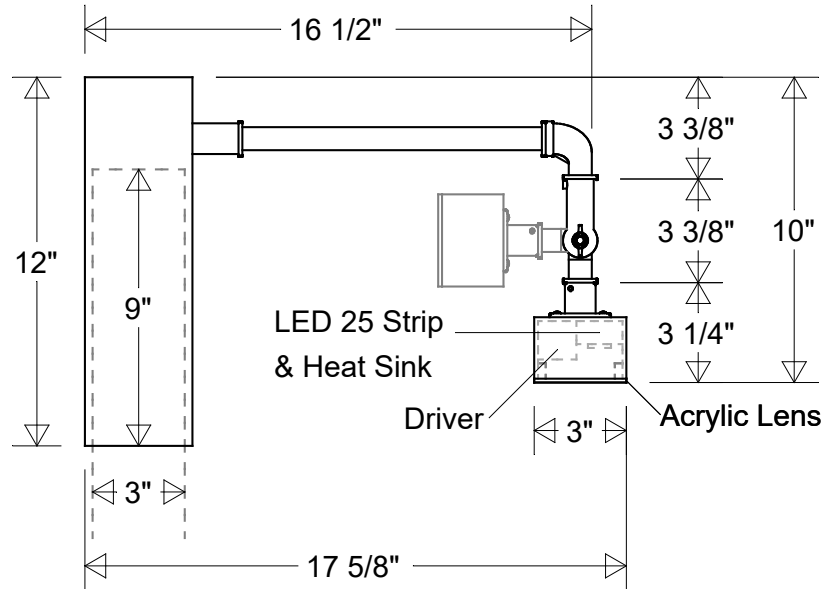


Primelite Manufacturing Corp

407 S Main St, Freeport, NY 11520

Phone: 516-868-4411 | Fax: 516-868-4609
 sales@primelite-mfg.com | www.primelite-mfg.com

PART # #5744/1855-13 ESW LED 25	LAMP Built-In LED	VOLTAGE 120 - 277 V	COLOR Powder Coated Paint
JOB NAME			TYPE Linear Post Light



Lamp: LED 25 Strip
 35K = 3920 Lumens
 5K = 3920 Lumens



Construction:
 Aluminum | Acrylic

Unless Otherwise Specified:
 Dimensions in Inches

	Initials	Date
Drawn	CB	09/2022
Checked		
ENG Appr.		
MFR Appr.		
QA		

Post Light #5744/1855-13 ESW LED 25

24" L | 17 5/8" Ext | 12" H | Fits 3" OD Round Posts

Acrylic Lens: White (-3) | Clear (-4) | Frosted (-5)

Size	Drawing No.	Rev
A	0001	A

Scale	CAD File	Sheet
		1 of 1

Revisions				
Zone	Rev	Description	Date	Appr

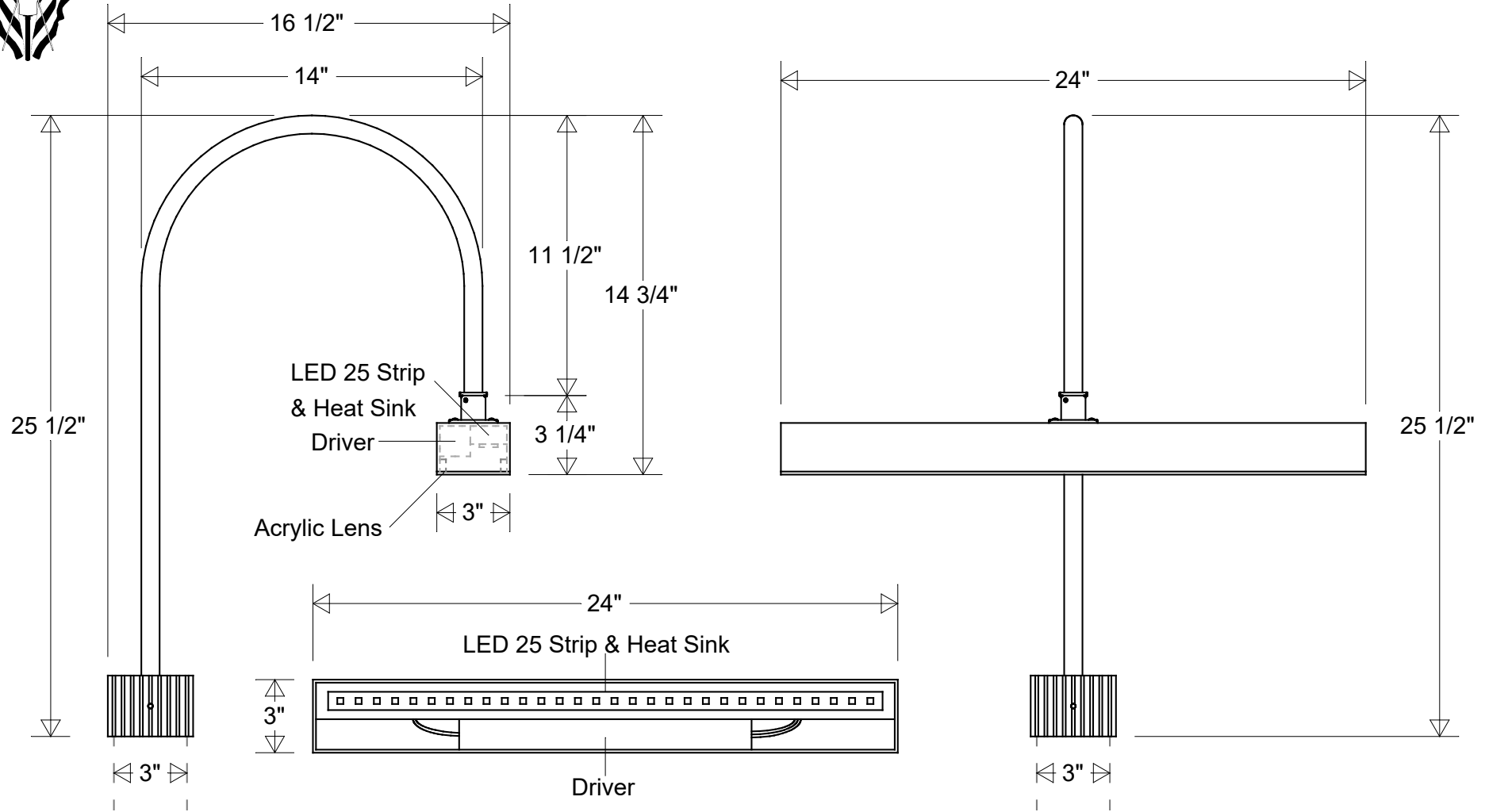


Primelite Manufacturing Corp

407 S Main St, Freeport, NY 11520

Phone: 516-868-4411 | Fax: 516-868-4609
 sales@primelite-mfg.com | www.primelite-mfg.com

PART # #5744/1862 LED 25	LAMP Built-In LED	VOLTAGE 120 - 277 V	COLOR Powder Coated Paint
JOB NAME			TYPE Linear Post Light



Lamp: LED 25 Strip
 35K = 3920 Lumens
 5K = 3920 Lumens

	Initials	Date
Drawn	CB	09/2022
Checked		
ENG Appr.		
MFR Appr.		
QA		

Post Light #5744/1862 LED 25

24" L | 16 1/2" Ext | 25 1/2" H | Fits 3" OD Round Posts
 Acrylic Lens: White (-3) | Clear (-4) | Frosted (-5)

Construction:
 Aluminum | Acrylic

Weight:

Size	Drawing No.	Rev
A	0001	A
Scale	CAD File	Sheet
		1 of 1

Revisions				
Zone	Rev	Description	Date	Appr

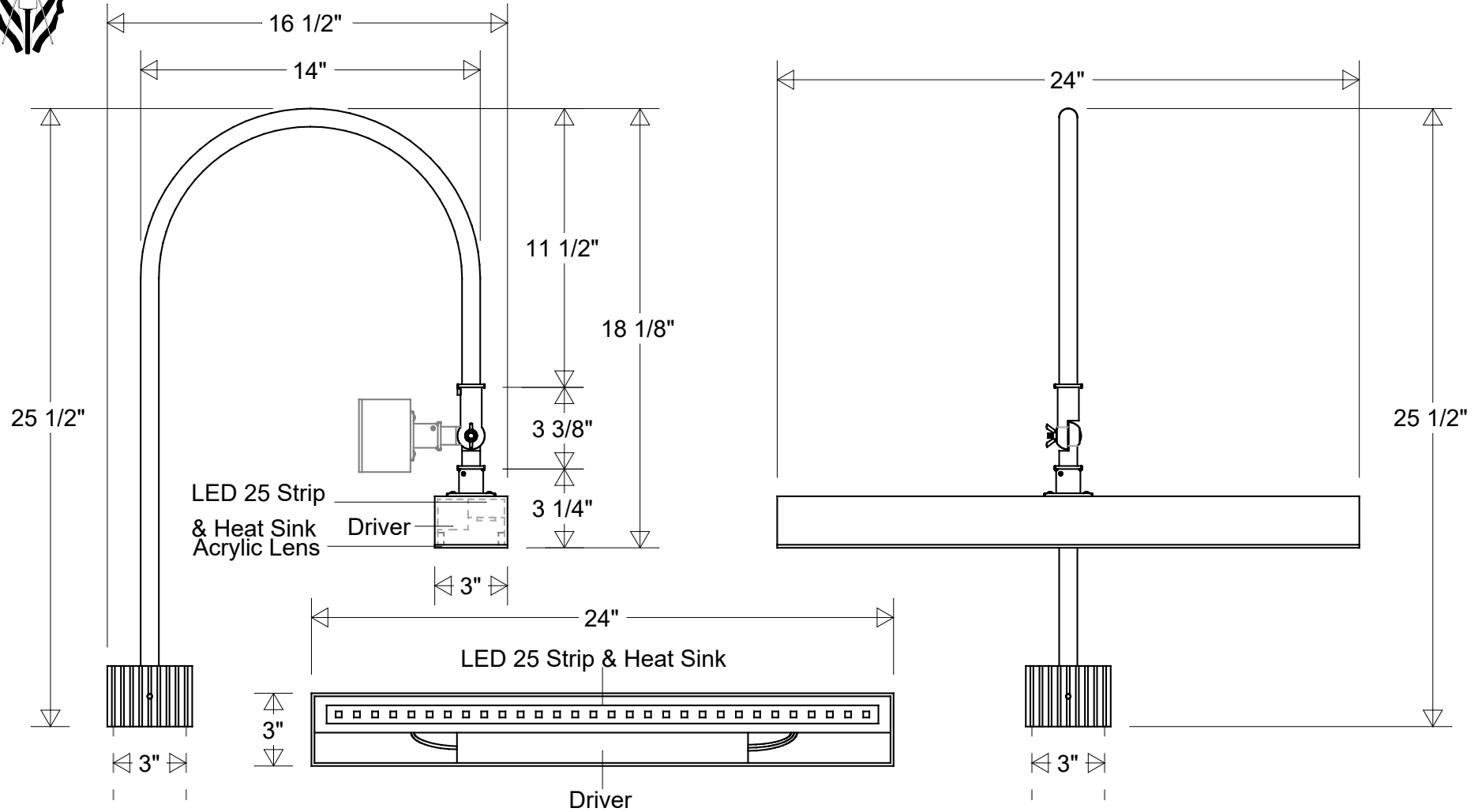


Primelite Manufacturing Corp

407 S Main St, Freeport, NY 11520

Phone: 516-868-4411 | Fax: 516-868-4609
 sales@primelite-mfg.com | www.primelite-mfg.com

PART # #5744/1862 ESW LED 25	LAMP Built-In LED	VOLTAGE 120 - 277 V	COLOR Powder Coated Paint
JOB NAME			TYPE Linear Post Light



Lamp: LED 25 Strip 35K = 3920 Lumens 5K = 3920 Lumens
Construction: Aluminum Acrylic
Unless Otherwise Specified: Dimensions in Inches

Initials	Date
Drawn: CB	09/2022
Checked:	
ENG Appr.:	
MFR Appr.:	
QA:	
Weight:	

Post Light #5744/1862 ESW LED 25		
24" L 16 1/2" Ext 25 1/2" H Fits 3" OD Round Posts		
Acrylic Lens: White (-3) Clear (-4) Frosted (-5)		
Size	Drawing No.	Rev
A	0001	A
Scale	CAD File	Sheet
		1 of 1

Revisions				
Zone	Rev	Description	Date	Appr

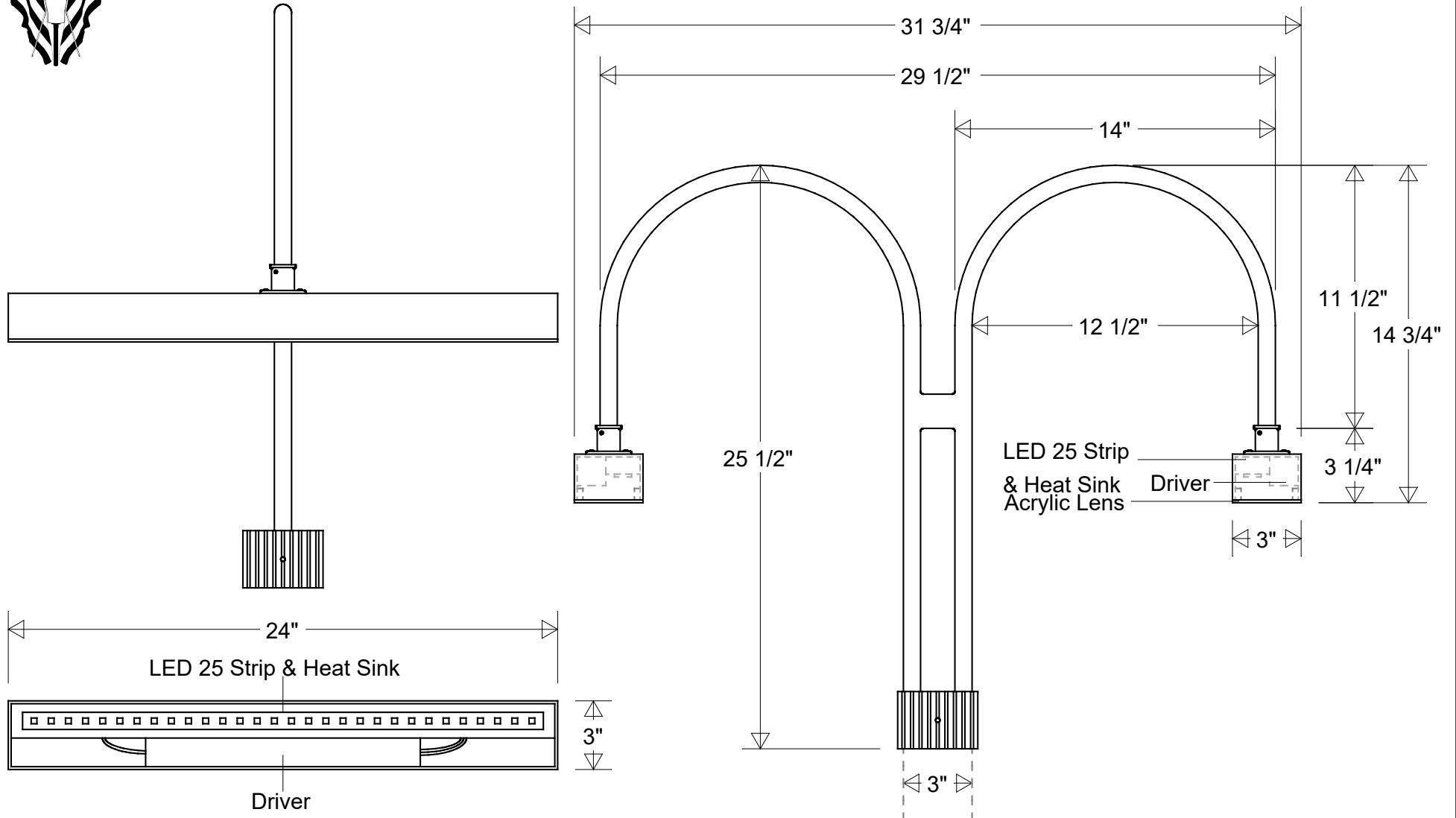


Primelite Manufacturing Corp

407 S Main St, Freeport, NY 11520

Phone: 516-868-4411 | Fax: 516-868-4609
 sales@primelite-mfg.com | www.primelite-mfg.com

PART # #5744/1864 LED 50	LAMP Built-In LED	VOLTAGE 120 - 277 V	COLOR Powder Coated Paint
JOB NAME			TYPE Linear Post Light



Lamp: LED 25 Strip 35K = 3920 Lumens 5K = 3920 Lumens 	Initials	Date	<h2>Post Light #5744/1864 LED 50</h2> <p>24" L 31 3/4" Ext 25 1/2" H Fits 3" OD Round Posts</p> <p>Acrylic Lens: White (-3) Clear (-4) Frosted (-5)</p>	
	Drawn	CB		09/2022
	Checked			
	ENG Appr.			
Construction: Aluminum Acrylic	MFR Appr.		Size Drawing No. Rev A 0001 A	
	QA			
	Weight:			
Unless Otherwise Specified: Dimensions in Inches	Scale	CAD File	Sheet 1 of 1	

Revisions				
Zone	Rev	Description	Date	Appr

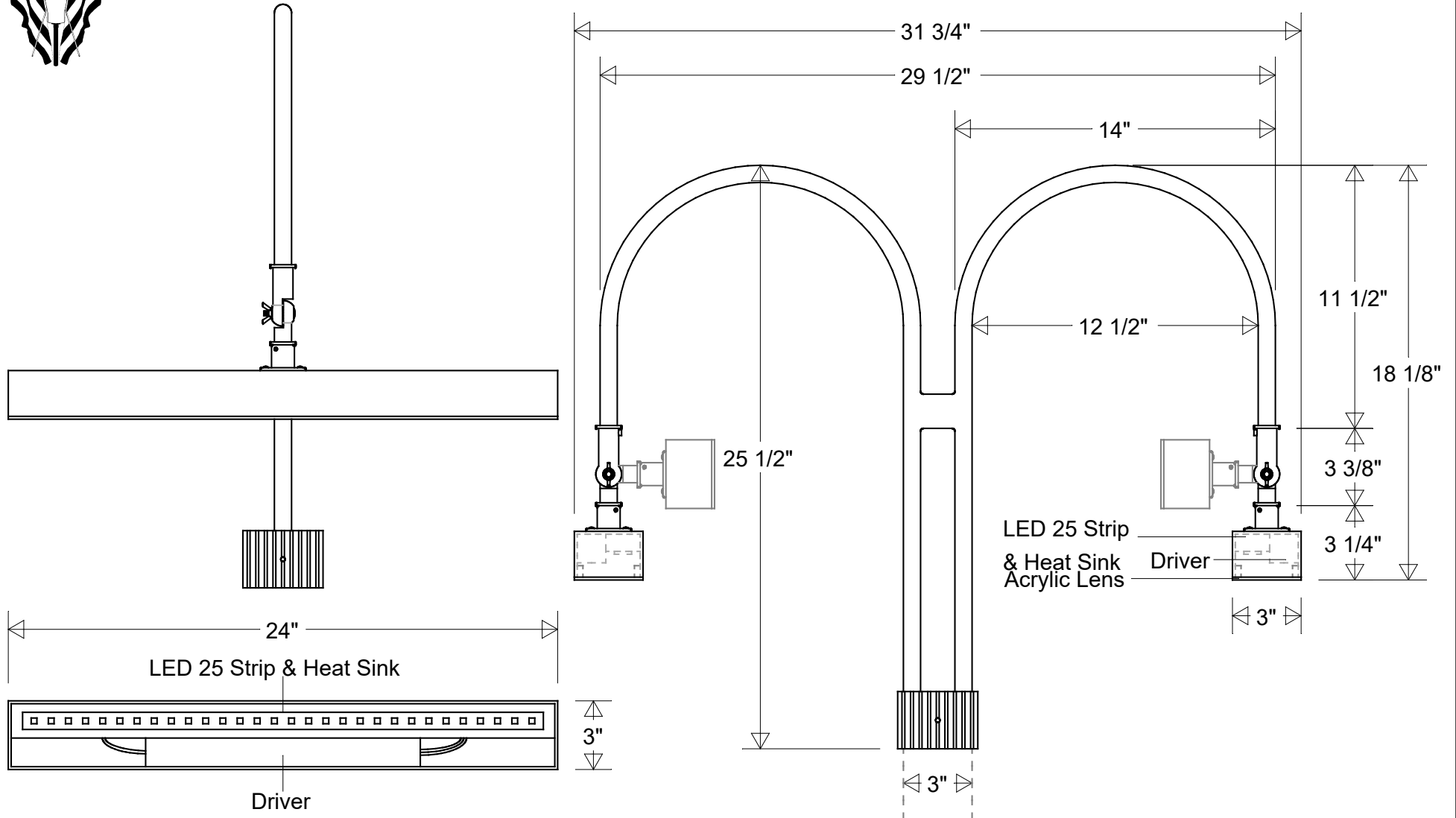


Primelite Manufacturing Corp

407 S Main St, Freeport, NY 11520

Phone: 516-868-4411 | Fax: 516-868-4609
 sales@primelite-mfg.com | www.primelite-mfg.com

PART # #5744/1864 ESW LED 50	LAMP Built-In LED	VOLTAGE 120 - 277 V	COLOR Powder Coated Paint
JOB NAME			TYPE Linear Post Light



Lamp: LED 25 Strip 35K = 3920 Lumens 5K = 3920 Lumens 	Initials	Date	<h2>Post Light #5744/1864 ESW LED 50</h2> <p>24" L 31 3/4" Ext 25 1/2" H Fits 3" OD Round Posts</p> <p>Acrylic Lens: White (-3) Clear (-4) Frosted (-5)</p>	
	Drawn	CB		09/2022
	Checked			
	ENG Appr.			
Construction: Aluminum Acrylic	MFR Appr.		Size Drawing No. Rev A 0001 A	
	QA			
Unless Otherwise Specified: Dimensions in Inches	Weight:	Scale	CAD File Sheet 1 of 1	

Revisions				
Zone	Rev	Description	Date	Appr

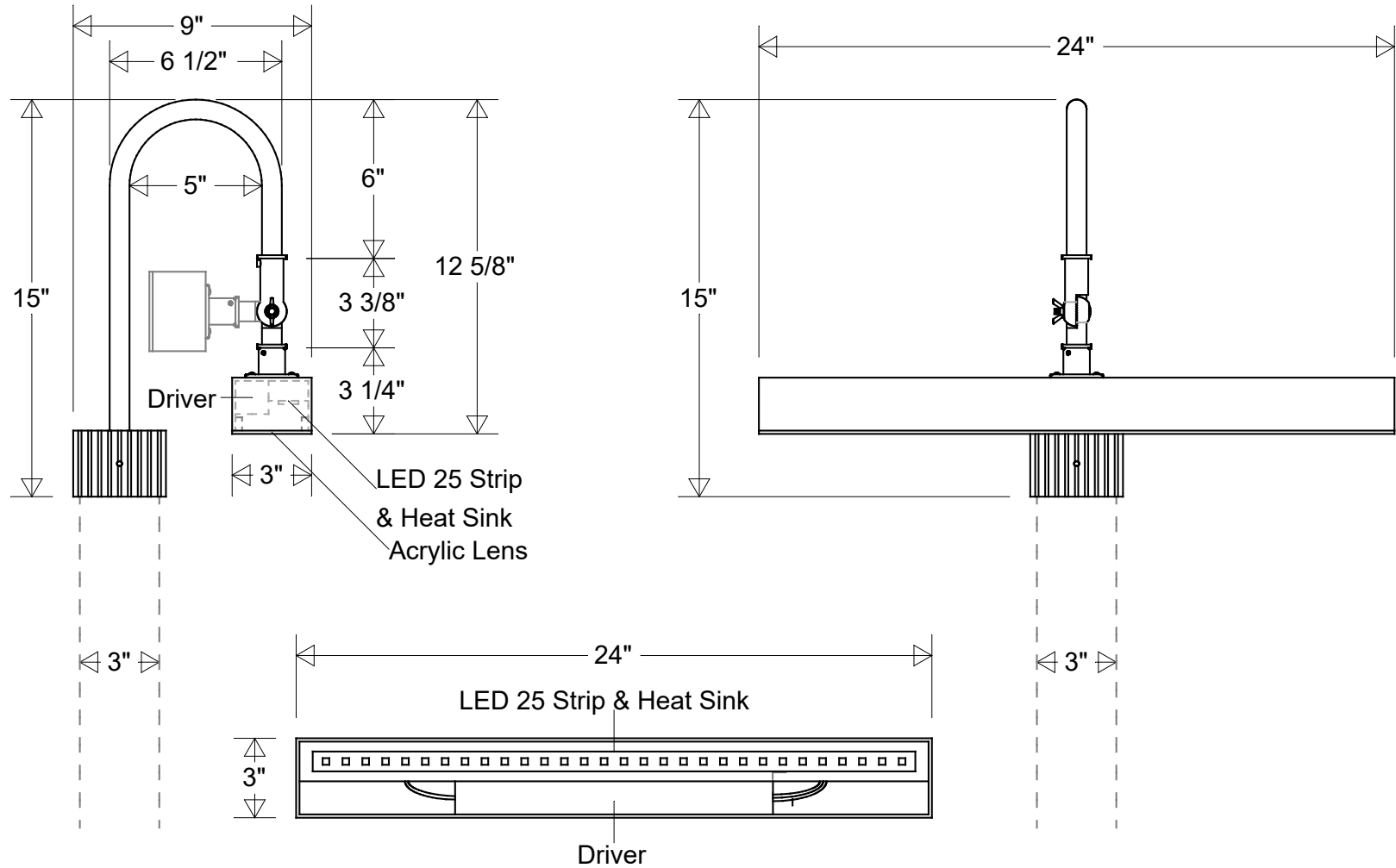


Primelite Manufacturing Corp

407 S Main St, Freeport, NY 11520

Phone: 516-868-4411 | Fax: 516-868-4609
 sales@primelite-mfg.com | www.primelite-mfg.com

PART # #5744/1873 ESW LED 25	LAMP Built-In LED	VOLTAGE 120 - 277 V	COLOR Powder Coated Paint
JOB NAME			TYPE Linear Post Light



Lamp: LED 25 Strip
 35K = 3920 Lumens
 5K = 3920 Lumens



Construction:
 Aluminum | Acrylic

Unless Otherwise Specified:
 Dimensions in Inches

	Initials	Date
Drawn	CB	09/2022
Checked		
ENG Appr.		
MFR Appr.		
QA		

Post Light #5744/1873 ESW LED 25

24" L | 9" Ext | 15" H | Fits 3" OD Round Posts & Piers

Acrylic Lens: White (-3) | Clear (-4) | Frosted (-5)

Size	Drawing No.	Rev
A	0001	A

Scale	CAD File	Sheet
		1 of 1

Revisions

Zone	Rev	Description	Date	Appr