

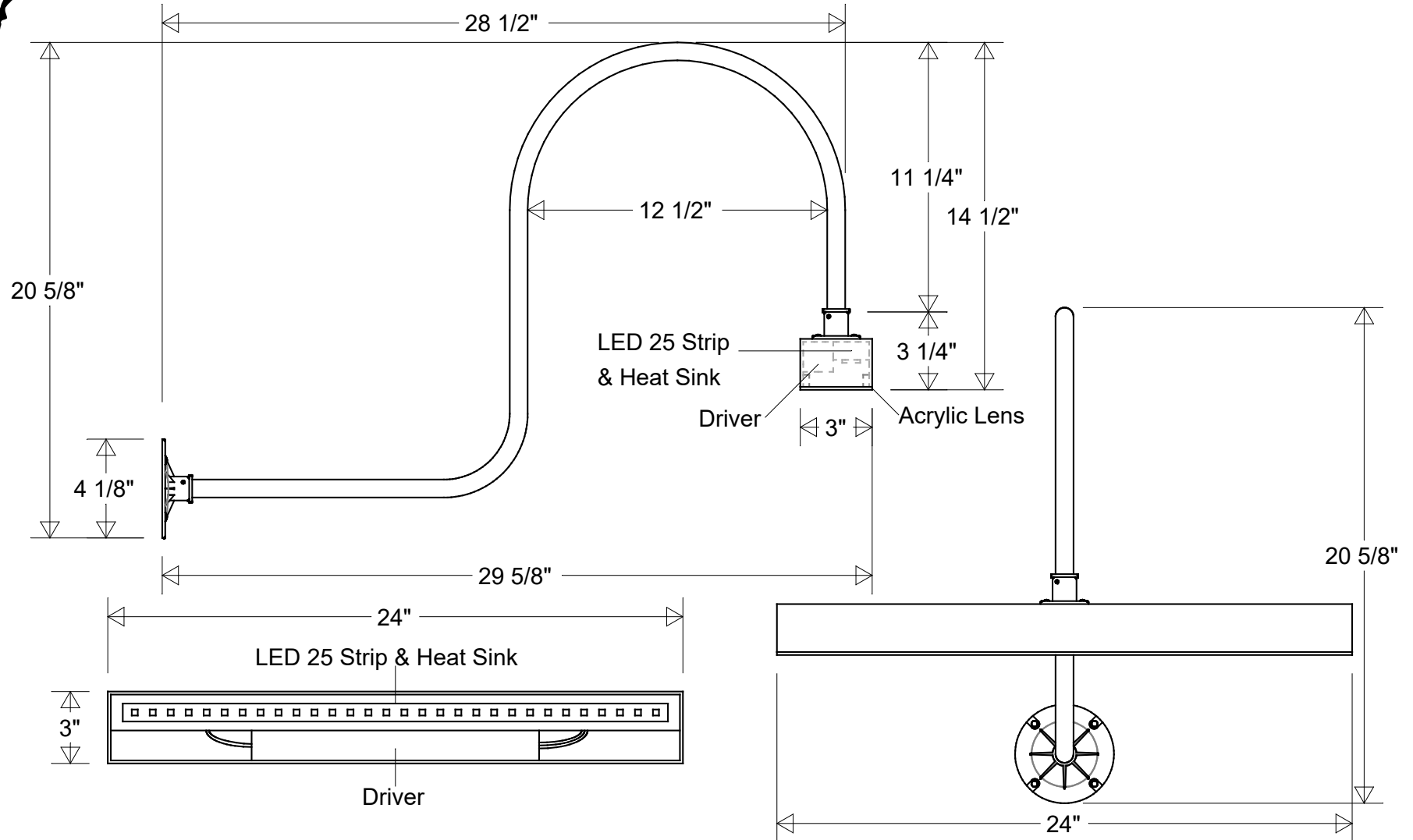


# Primelite Manufacturing Corp

407 S Main St, Freeport, NY 11520

Phone: 516-868-4411 | Fax: 516-868-4609  
 sales@primelite-mfg.com | www.primelite-mfg.com

PART # #5744/851 LED 25	LAMP Built-In LED	VOLTAGE 120 - 277 V	COLOR Powder Coated Paint
JOB NAME			TYPE Linear Wall Light



Lamp: LED 25 Strip  
 35K = 3920 Lumens  
 5K = 3920 Lumens

Construction:  
 Aluminum | Acrylic

Unless Otherwise Specified:  
 Dimensions in Inches

Initials	Date
Drawn CB	09/2022
Checked	
ENG Appr.	
MFR Appr.	
QA	
Weight:	

<b>Wall Light #5744/851 LED 25</b>		
24" L   29 5/8" Ext   20 5/8" H		
Acrylic Lens: White (-3)   Clear (-4)   Frosted (-5)		
Size	Drawing No.	Rev
<b>A</b>	<b>0001</b>	<b>A</b>
Scale	CAD File	Sheet
		<b>1 of 1</b>

Revisions				
Zone	Rev	Description	Date	Appr