

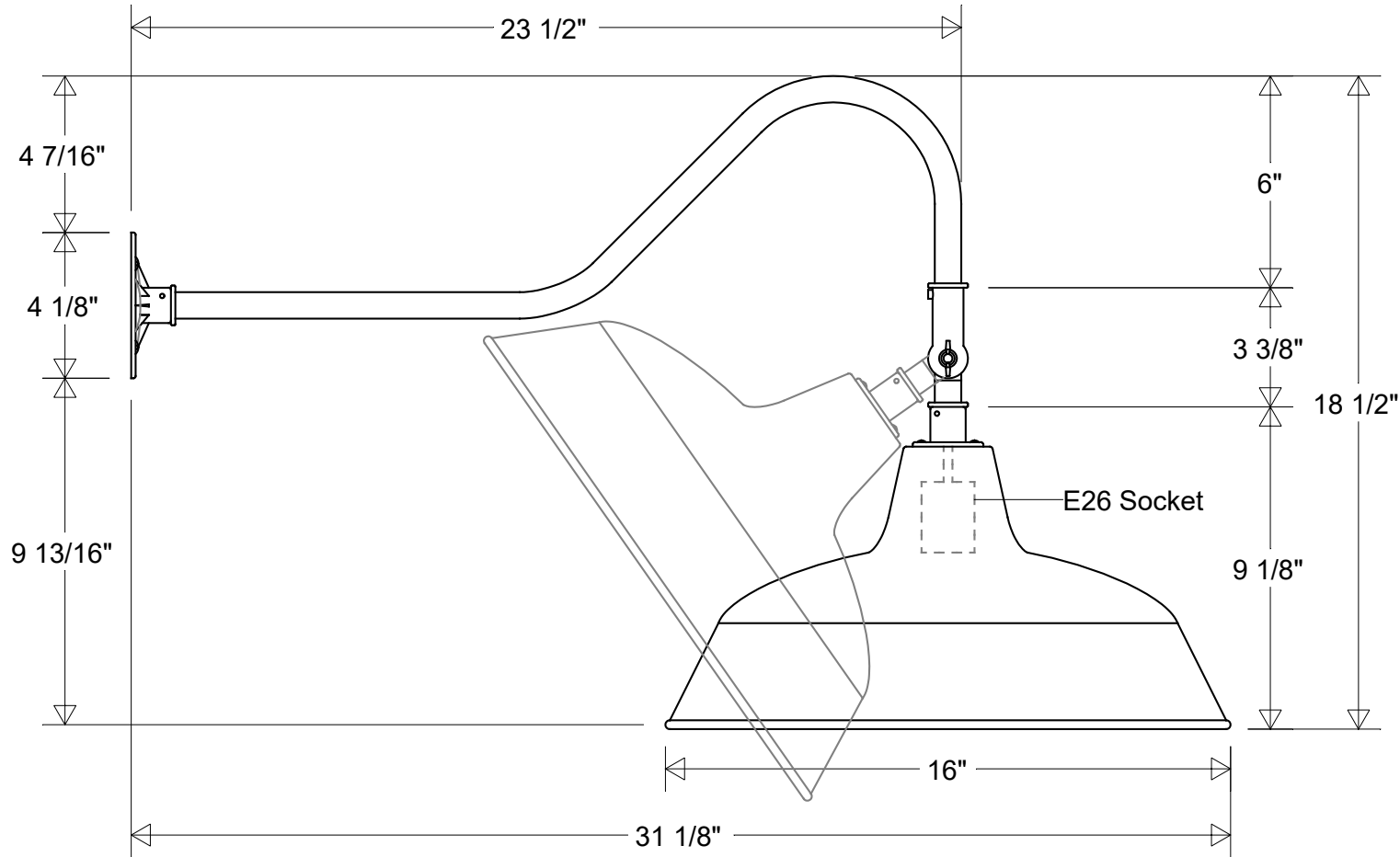



Primelite Manufacturing Corp

407 S Main St, Freeport, NY 11520

Phone: 516-868-4411 | Fax: 516-868-4609
 sales@primelite-mfg.com | www.primelite-mfg.com

PART # #23/16-850 ESW	LAMP E26 Socket	VOLTAGE 120 V	COLOR Powder Coated Paint
JOB NAME			TYPE Gooseneck



Lamp: E26 Socket Max Wattage: 200 W 	Initials	Date	#23/16-850 ESW						
	Drawn	CB						09/2023	
	Checked			16" Dia 31 1/8" Ext 18 1/2" H		Revisions			
ENG Appr.			Adjustable Angle Swivel		Zone	Rev	Description	Date	Appr
Construction: Aluminum	MFR Appr.		Size	Drawing No.	Rev				
	QA		A	0001	A				
Unless Otherwise Specified: Dimensions in Inches	Weight:		Scale	CAD File	Sheet				
					1 of 1				