

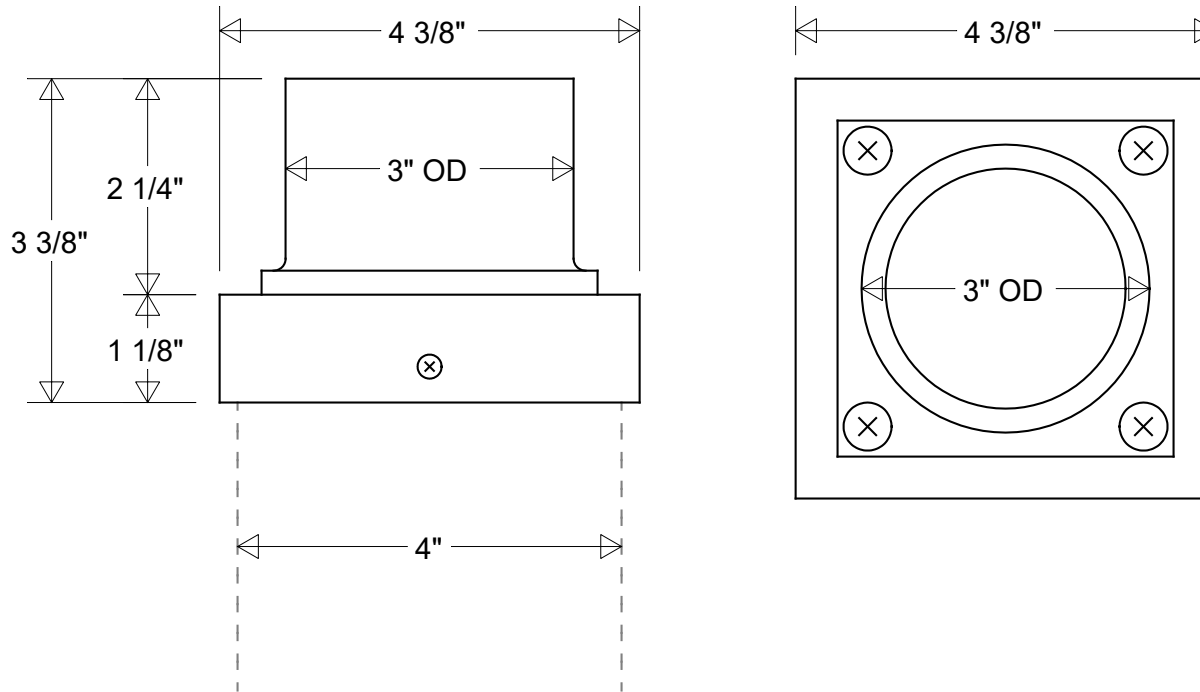


# Primelite Manufacturing Corp

407 S Main St, Freeport, NY 11520

Phone: 516-868-4411 | Fax: 516-868-4609  
 sales@primelite-mfg.com | www.primelite-mfg.com

PART # #2	LAMP N/A	VOLTAGE N/A	COLOR Powder Coated Paint
JOB NAME			TYPE Pier Mount



Lamp: N/A	Initials	Date	<b>#2</b>							
	Drawn	CB						09/2023		
	Checked			4 3/8" W   3 3/8" H Fits 4" Square Mounts   For 3" ID Fixtures						
	ENG Appr.									
Construction: Aluminum	MFR Appr.		Size <b>A</b>	Drawing No. <b>0001</b>	Rev <b>A</b>	<b>Revisions</b>				
Unless Otherwise Specified: Dimensions in Inches	Weight:		Scale	CAD File	Sheet <b>1 of 1</b>	<b>Zone</b>	<b>Rev</b>	<b>Description</b>	<b>Date</b>	<b>Appr</b>