

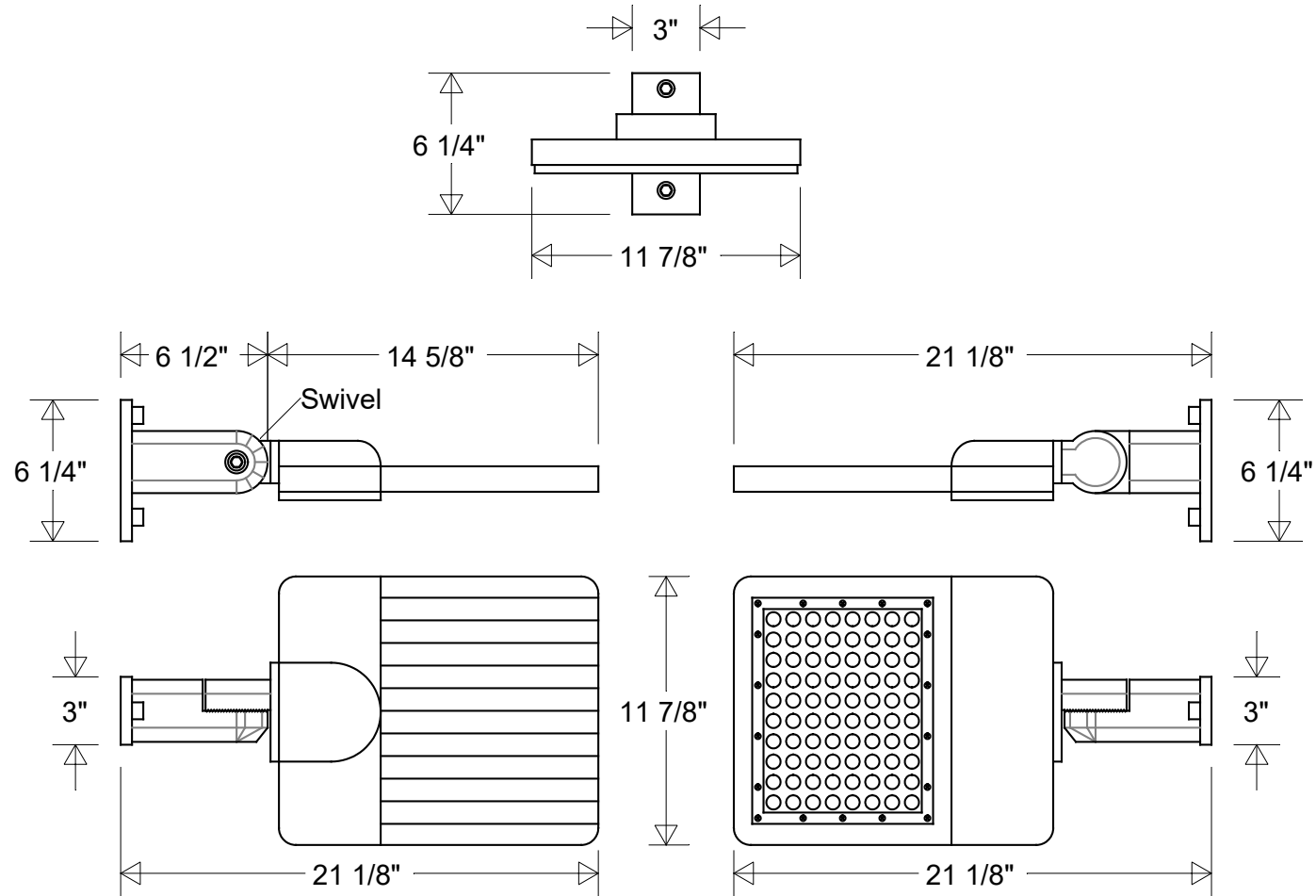


Primelite Manufacturing Corp

407 S Main St, Freeport, NY 11520

Phone: 516-868-4411 | Fax: 516-868-4609
 sales@primelite-mfg.com | www.primelite-mfg.com

PART # #1573 LED	LAMP Built-In LED	VOLTAGE 120-277 V	COLOR Bronze
JOB NAME			TYPE Post Light



Lamp: LED Switchable Option 1: 240 W = 40,000 Lumens Option 2: 200 W = 35,000 Lumens Option 3: 150 W = 28,000 Lumens 0-10V Dimmable 120-277 V T3 Distribution	Initials	Date	#1573 LED			
	Drawn	CB				10/2023
	Checked			11 7/8" W 21 1/8" Ext 6 1/4" H Photocell Swivel		
	ENG Appr.					
Construction: Aluminum	MFR Appr.		Size A	Drawing No. 0001	Rev A	
Unless Otherwise Specified: Dimensions in Inches	Weight:		Scale	CAD File	Sheet 1 of 1	

Revisions				
Zone	Rev	Description	Date	Appr