

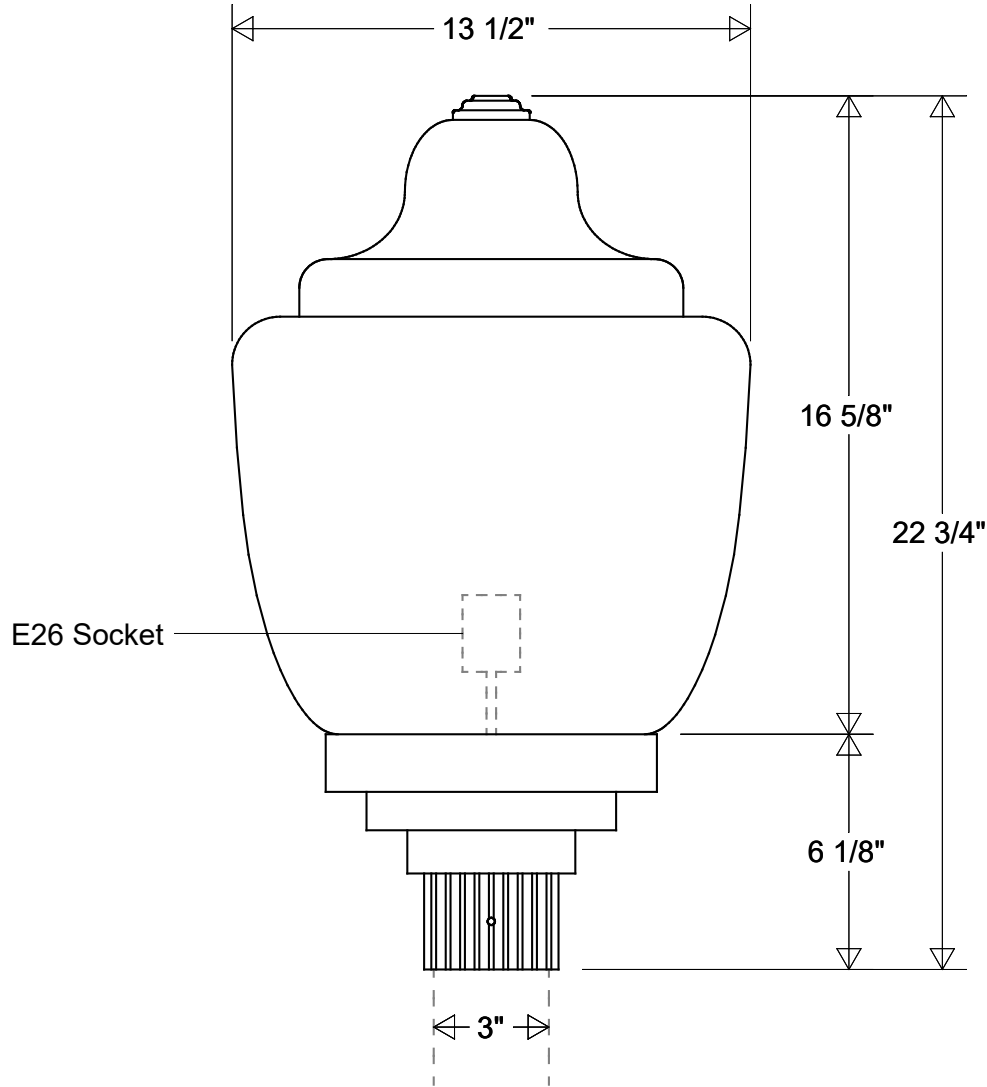



Primelite Manufacturing Corp

407 S Main St, Freeport, NY 11520

Phone: 516-868-4411 | Fax: 516-868-4609
 sales@primelite-mfg.com | www.primelite-mfg.com

| | | | |
|------------------------|---------------------------|-------------------------|-------------------------------------|
| PART # #1217 | LAMP E26 Socket | VOLTAGE 120 V | COLOR Powder Coated Paint |
| JOB NAME | | | TYPE Post Light |



| | | | | | | | | | | |
|--|-----------------|-------------|--|-----------------|--------------------|------------------|-------------|------------|--------------------|-------------|
| Lamp: E26 Socket Max Wattage: 300 W  | Initials | Date | <h2>Post Light #1217</h2> <p>13 1/2" Dia 22 3/4" H Fits 3" OD Round Posts & Pier Mounts</p> | | | Revisions | | | | |
| | Drawn | CB | | | | 08/2022 | Zone | Rev | Description | Date |
| | Checked | | | Size | Drawing No. | Rev | | | | |
| Construction: Aluminum Polycarbonate | ENG Appr. | | A | 0001 | A | | | | | |
| Unless Otherwise Specified: Dimensions in Inches | MFR Appr. | | Scale | CAD File | Sheet | | | | | |
| | QA | | | | 1 of 1 | | | | | |