

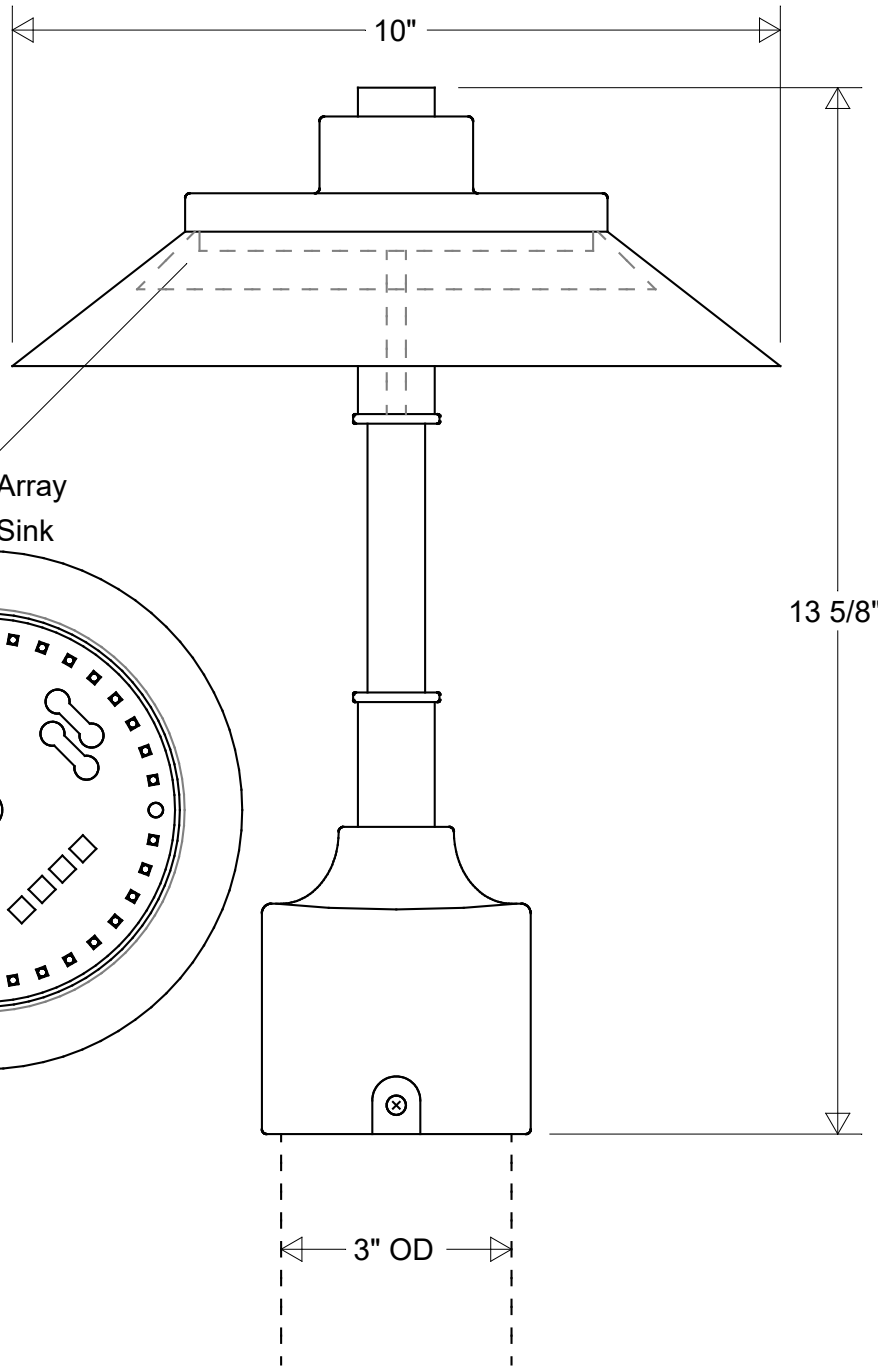


Primelite Manufacturing Corp

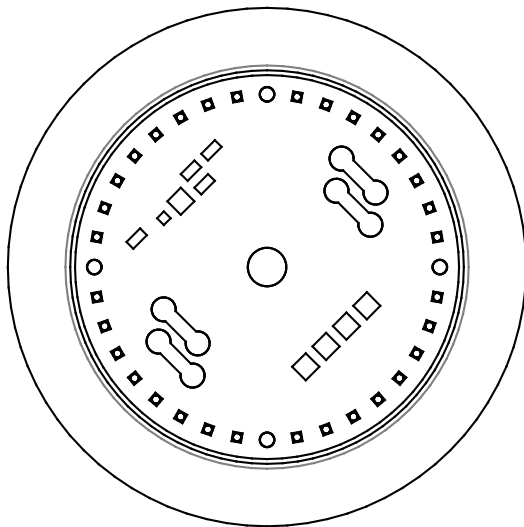
407 S Main St, Freeport, NY 11520

Phone: 516-868-4411 | Fax: 516-868-4609
 sales@primelite-mfg.com | www.primelite-mfg.com

PART # #12/10-1594	LAMP LED 22	VOLTAGE 120 V	COLOR Powder Coated Paint
JOB NAME			TYPE Post Light



LED 22 Array
& Heat Sink



Lamp: LED 22 Array
 100 W Inc Equivalent
 3K = 1850 Lumens
 4K = 1900 Lumens



	Initials	Date
Drawn	CB	01/2022
Checked		
ENG Appr.		
MFR Appr.		
QA		

Post Light #12/10-1594 LED 22

10" Dia | 13 5/8" H | Fits 3" OD Posts
 Dark Sky Friendly

Size	Drawing No.	Rev
A	0001	A

Unless Otherwise Specified:
 Dimensions in Inches

Weight:	Scale	CAD File	Sheet
			1 of 1

Revisions				
Zone	Rev	Description	Date	Appr